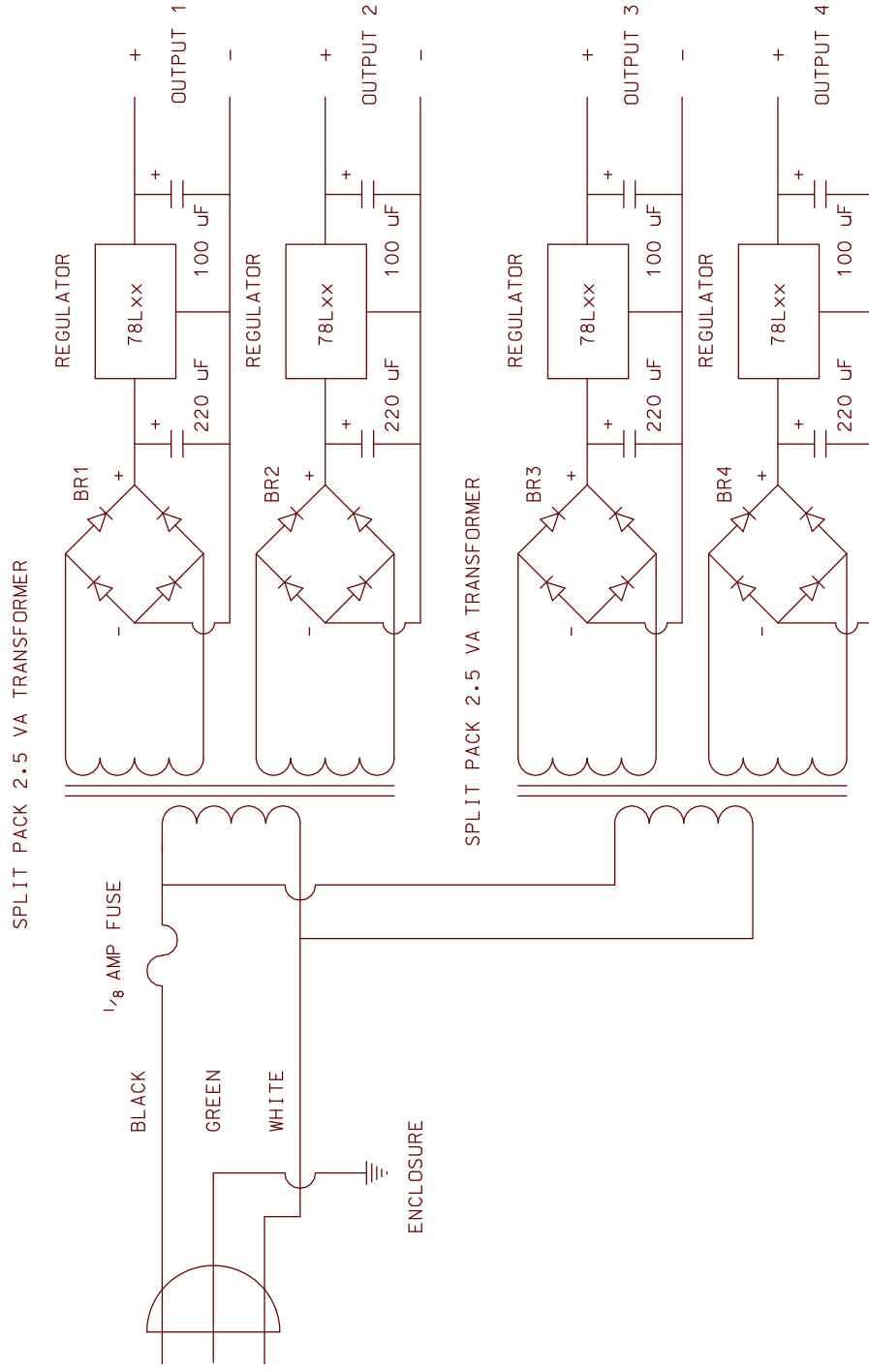


# FOUR OUTPUT POWER SUPPLY

COPYRIGHT 2002 BY SCOTT SWARTZ, ALL RIGHTS RESERVED



## NOTES

1. BRIDGE RECTIFIERS (BRx) TO BE RECTRON MODEL DB102, 1 AMP, 100 PIV OR EQUAL.
2. TRANSFORMER TO BE TRIAD (PARALLAX) SPLIT PACK TYPE, 2.5 VA SIZE, OUTPUT VOLTAGE APPROPRIATE FOR DESIRED REGULATED VOLTAGE.
3. OUTPUT JACKS MUST BE ISOLATED FROM THE ENCLOSURE.