

Electro-Harmonix™ Small Stone™

Version 2007December16

Copyright 2007 JD Sleep

Permission refused for posting/serving this file from any site other than www.generalguitargadgets.com

Trademarks are property of their owners

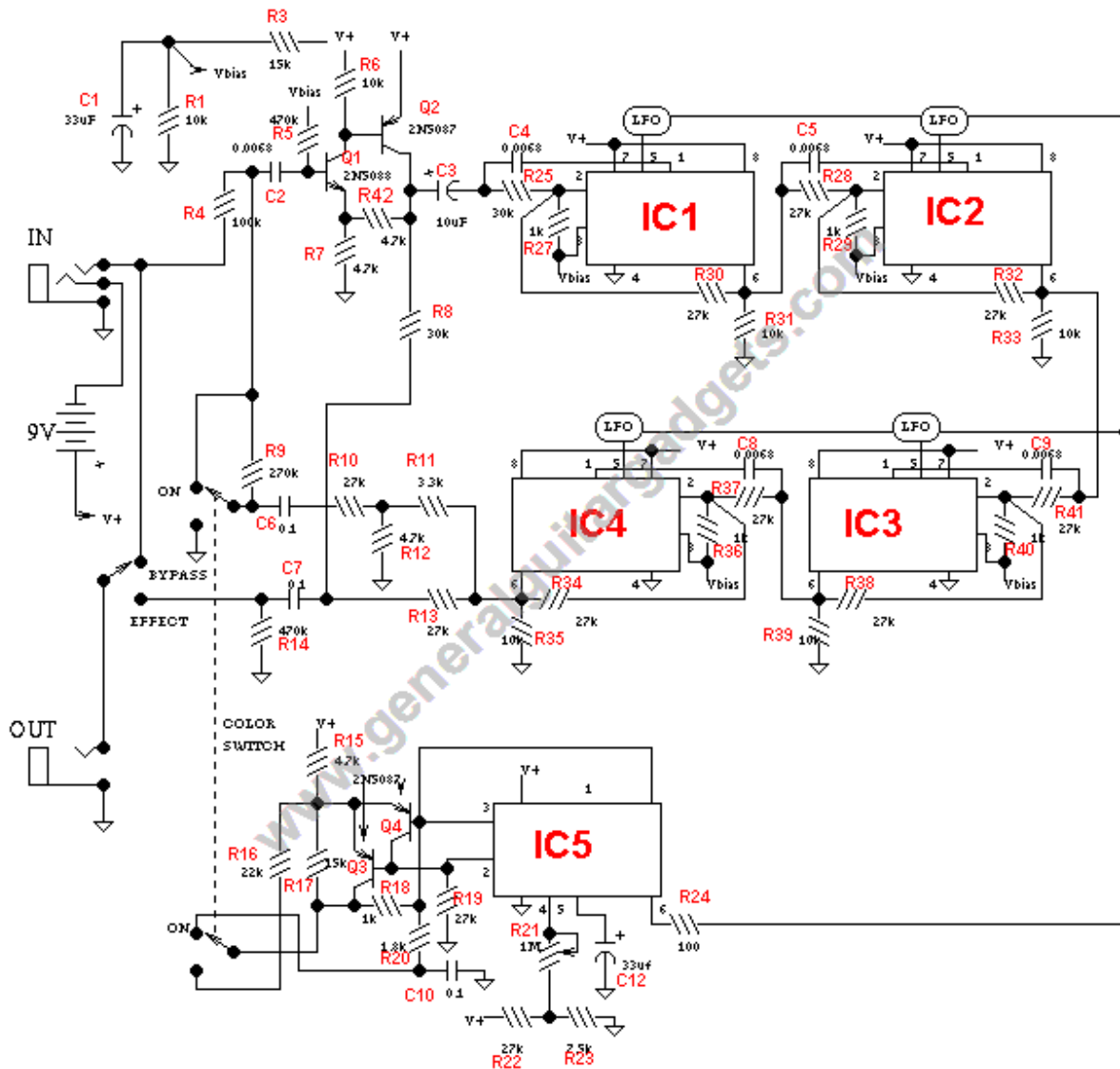
EH Small Stone Phaser

Issue J

Originally Drawn by R. G. Keen

Red reference markings added

by JD Sleep.



The Small Stone is somewhat unique in using Operational Transconductance Amplifiers (OTA's) for phase shift stages instead of opamps with variable resistors. All of the IC's are house marked EH1048, but can be replaced with CA3094 which is a combination of an OTA equal to the CA3080 and a darlington emitter follower. Later Small Stones used slightly different circuits, but all used the OTA.