

## MXR Envelope Filter with Modifications

Version 2006January08

Copyright 2005 JD Sleep

Permission refused for posting/serving this file from any site other than [www.generalguitargadgets.com](http://www.generalguitargadgets.com)

### Bill of Materials

#### Resistors (1/4 watt rating)

1 – 3k  
1 – 3k6 (3.6k)  
2 – 10k  
6 – 47k  
1 - 62k  
3 – 100k  
3 – 200k  
1 – 240k  
1 - 470k  
2 - 1M  
2 – 10M  
2 – 22M  
1 – 5.1M

#### Pots (1/4 watt or higher rating)

3 - 500k linear

#### ICs

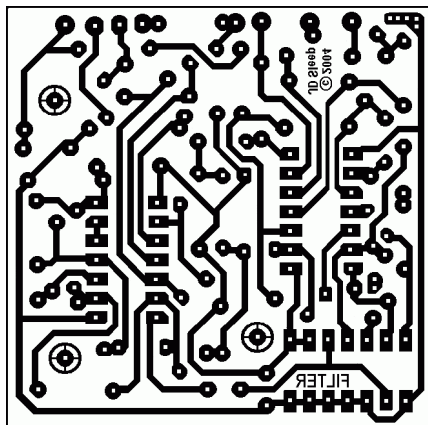
2 – 4069  
1 – 4066

#### Capacitors (minimum 16 volt rating)

1 – 10pf ceramic  
1 – 100pF ceramic or film  
1 – 470pF ceramic  
1 – 560pF ceramic  
1 – 0.001uF film  
4 – 0.047uF film or ceramic  
2 – 0.1uF film  
1 – 47uF aluminum electrolytic

#### Other

2 – 1N914  
1- DPDT on-on toggle switch  
1 – SPST On-On toggle switch  
1 – 3PDT or DPDT heavy duty foot switch (bypass)  
1 – Optional LED and 4k7 resistor  
1 – mono quarter inch jack  
1 – stereo quarter inch jack  
9v battery snaps & holder and/or DC jack, knobs, Copper-clad board, etchant, or perfboard  
24 gauge stranded wire  
Enclosure



Size 5.7cm x 5.6cm

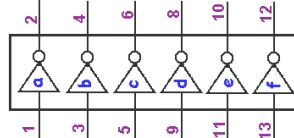
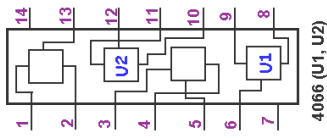
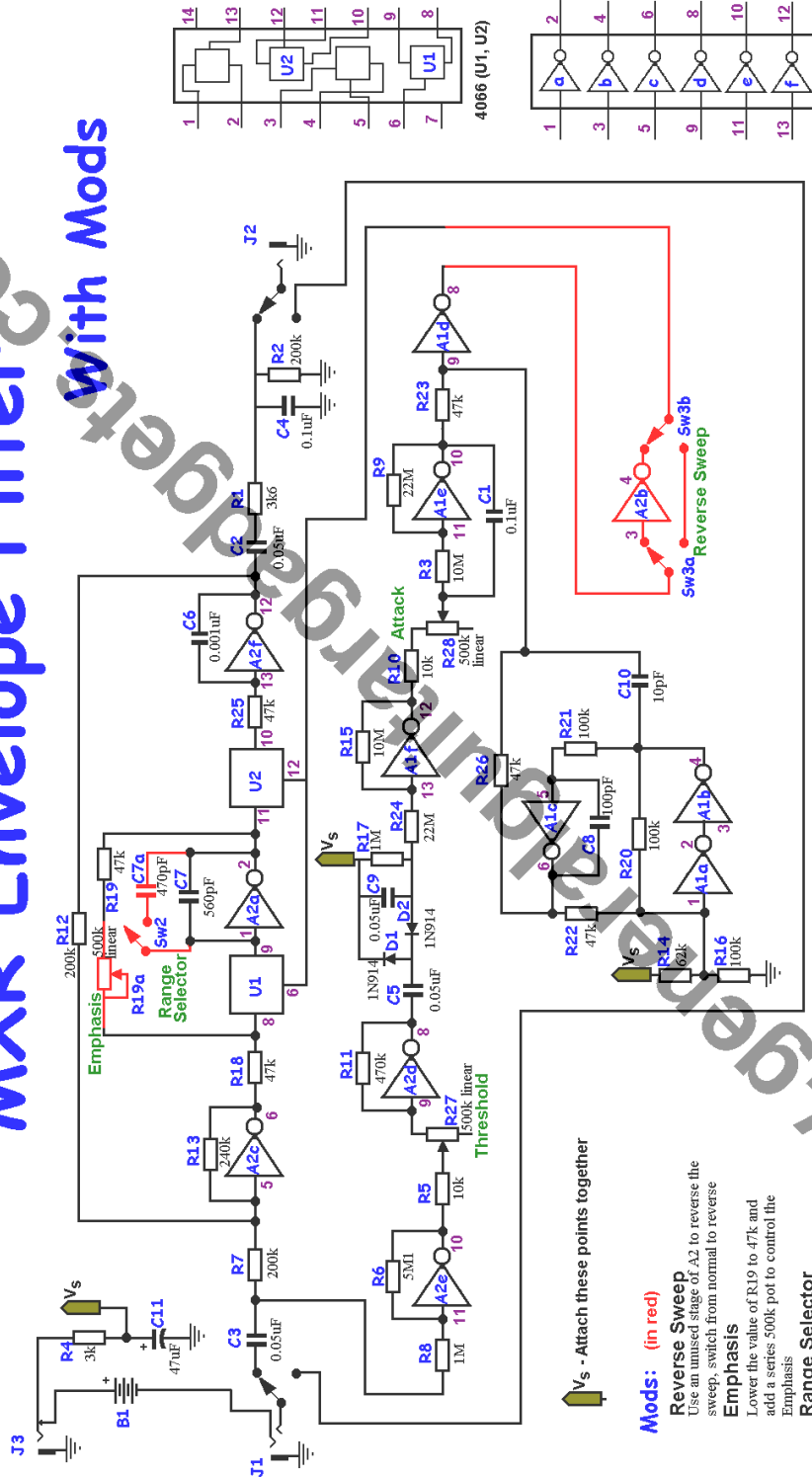
## MXR Envelope Filter with Modifications

Version 2006January08

Copyright 2005 JD Sleep

Permission refused for posting/serving this file from any site other than [www.generalguitargadgets.com](http://www.generalguitargadgets.com)

# MXR Envelope Filter With Mods



**V<sub>s</sub>** - Attach these points together

**Mods: (in red)**

- Reverse Sweep**  
Use an unused stage of A2 to reverse the sweep, switch from normal to reverse
- Emphasis**  
Lower the value of R19 to 47k and add a series 500k pot to control the Emphasis
- Range Selector**  
Lower the value of C7 to 560pF and add switch to switch in C7a 470pF cap.

Drawn by: JD Sleep  
 Revision: 2005FEB24  
 Copyright 2005 JD Sleep  
 Permission refused for posting/serving this diagram from any site other than [www.generalguitargadgets.com](http://www.generalguitargadgets.com)

## MXR Envelope Filter with Modifications

Version 2006 January 08

Copyright 2005 JD Sleep

Permission refused for posting/serving this file from any site other than [www.generalguitargadgets.com](http://www.generalguitargadgets.com)

