



Jen HF Modulator Clone Project

Version 2004JULY27

Copyright 2004 JD Sleep

Here's a great little noise maker. See the site for link to sound files. Nothing too difficult about building this, the layout will accommodate transistors with EBC or BEC pinout.

Bill of Materials

Resistors (1/4 watt rating)

- 1 – 1k2 (1.2k)
- 1 – 2k (2.2k)
- 1 – 4k7 (current limiting for LED)
- 1 – 10k
- 1 – 12k
- 1 - 18k
- 2 – 33k
- 2 – 100k
- 1 – 220k
- 1 – 560k
- 2 – 2M2

Pots (1/4 watt or higher rating)

- 3 - 100k linear

Transistors

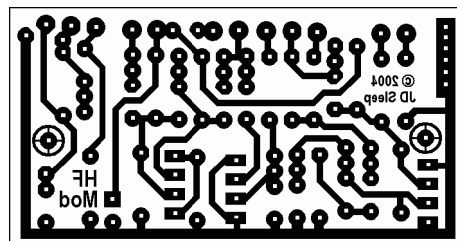
- 3 – 2N5172 or other bipolar NPN

Capacitors (minimum 16 volt rating)

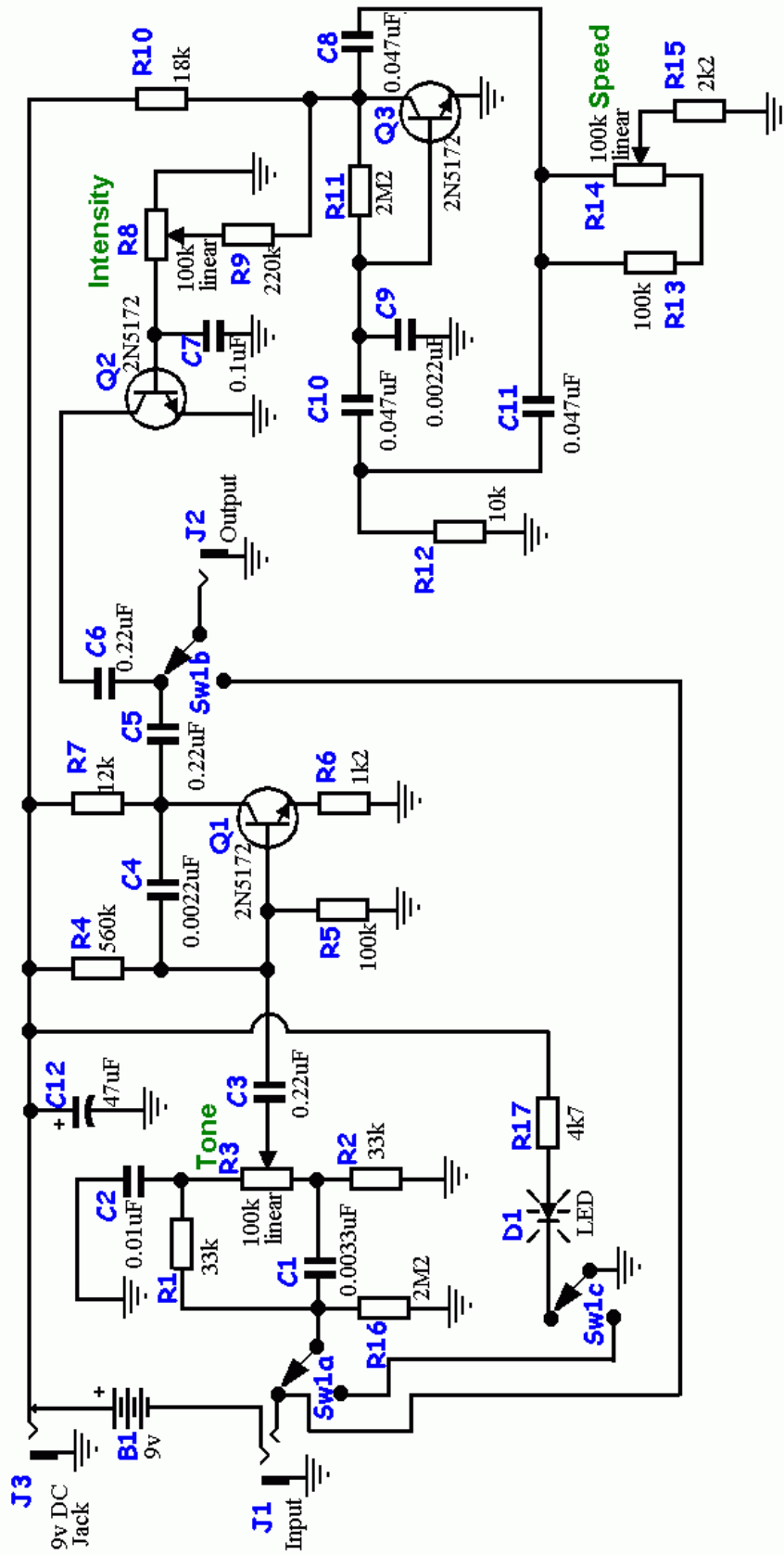
- 2 – 0.0022uF film
- 1 – 0.0033uF film
- 1 – 0.01uF film
- 3 – 0.047uF film
- 1 - 0.1uF film
- 3 – 0.22uF film
- 1 – 47uF aluminum electrolytic

Other

- 1 – 3PDT or DPDT heavy duty foot switch (bypass)
- 1 – mono quarter inch jack
- 1 – stereo quarter inch jack
- 9v battery snaps & holder and/or DC jack
- knobs, Copper-clad board, etchant, or perfboard
- 24 gauge stranded wire
- Enclosure



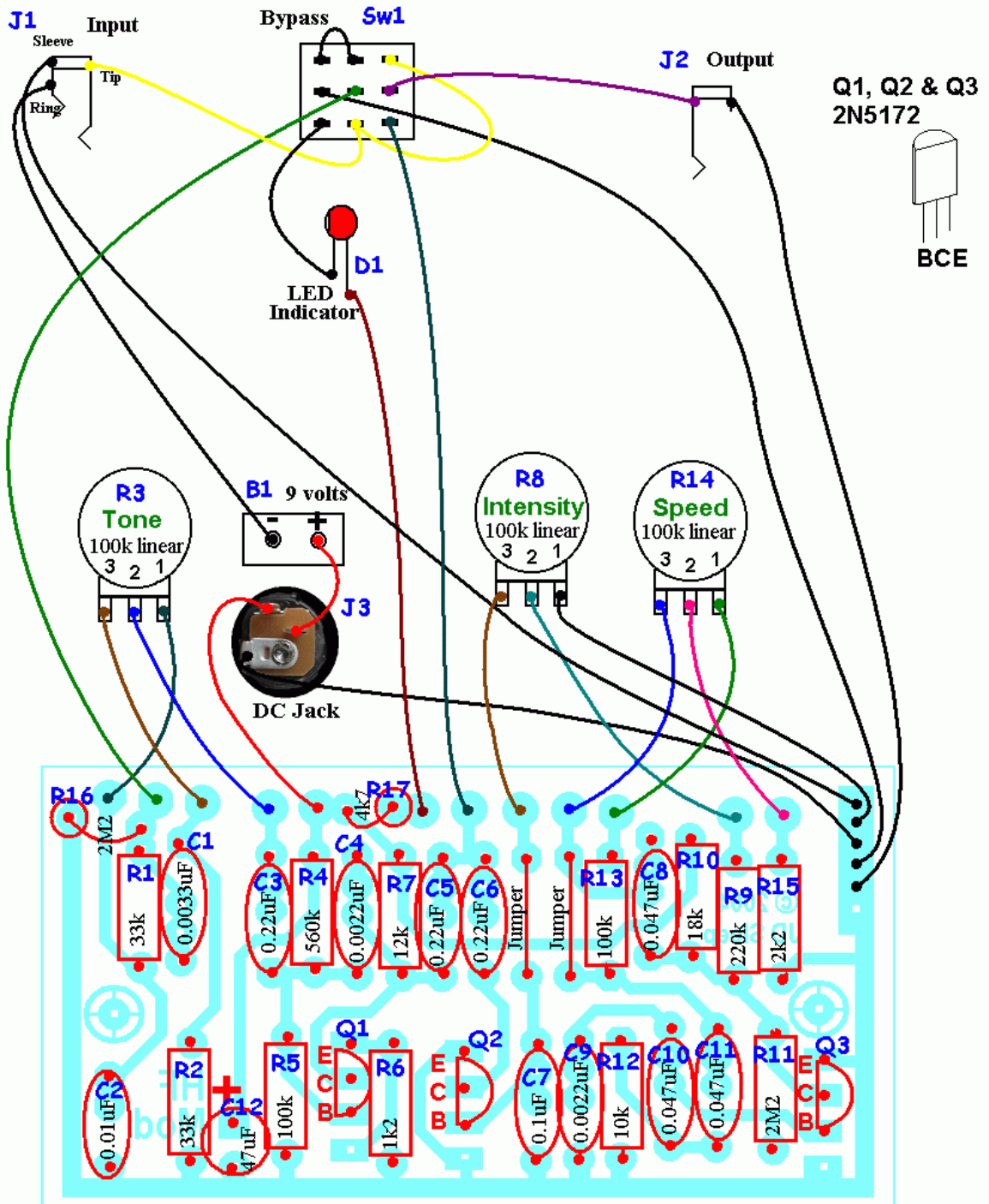
Box size 6.1cm x 3.1cm



Jen High Frequency Modulator

Jen High Frequency Modulator

Here's a layout using the 2N5172 or other BCE type transistors.



Jen High Frequency Modulator

Here's a layout using the 2N3904 or other CBE type transistors.

