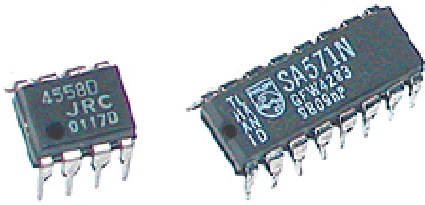
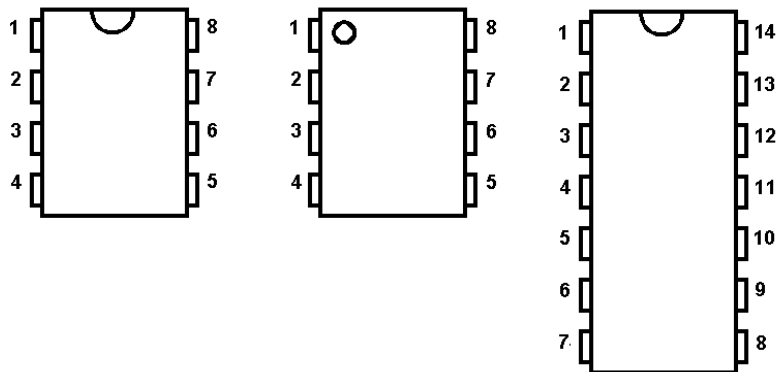


IC

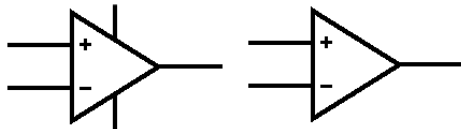


Often labeled as IC1, IC2 etc. in schematics.

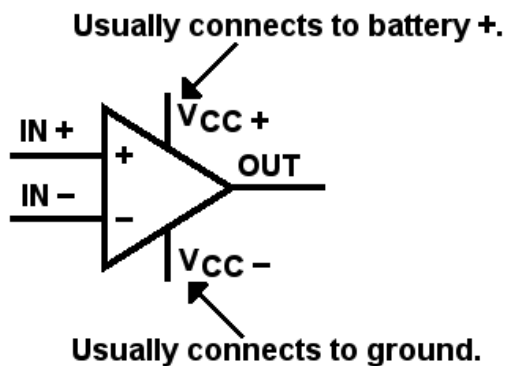
This shows how to read the pinouts.



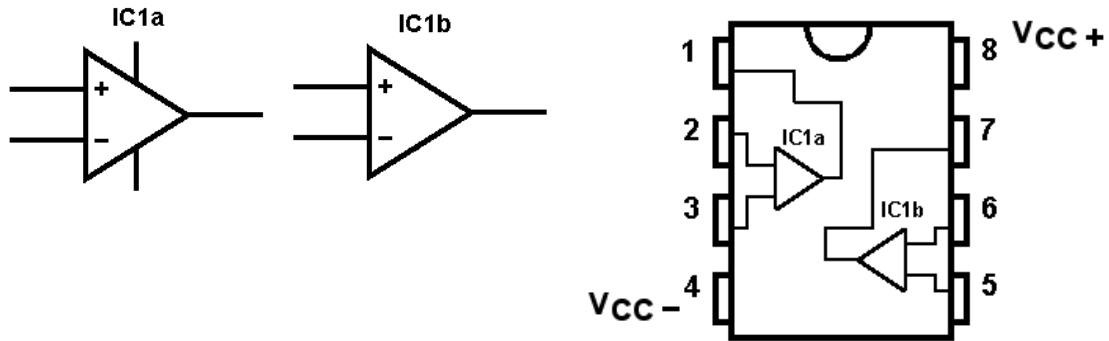
Schematic symbols for an op-amp (OP).



Sometimes the power supply (V_{CC+} , V_{CC-}) pins are not shown in schematics, the author assumes that you should know that those pins always have to be connected to power supply (usually the battery).



An IC can also contain more than one OP in one package (unit), in that case they share the same power supply pins.



Some pinouts for common OP's

(Any left over pin should be N.C. = Not Connected)

	Vcc+	Vcc-	Amp 1 in+	Amp 1 in-	Amp 1 out	Amp 2 in+	Amp 2 in-	Amp 2 out
LM741	7	4	3	2	6			
TL061	7	4	3	2	6			
TL070	7	4	3	2	6			
TL071	7	4	3	2	6			
LM208	7	4	3	2	6			
LM1458	8	4	3	2	1	5	6	7
TL062	8	4	3	2	1	5	6	7
TL072	8	4	3	2	1	5	6	7
LM358	8	4	3	2	1	5	6	7
LM833	8	4	3	2	1	5	6	7
NE5532	8	4	3	2	1	5	6	7
JRC4558D	8	4	3	2	1	5	6	7
RC4558P	8	4	3	2	1	5	6	7