

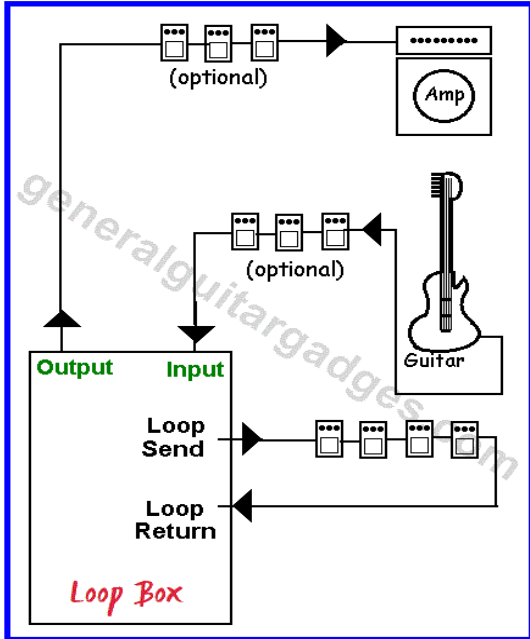
# True-Bypass Loop Switch Box User's Manual

Version 2019 August 27

Copyright 2019 JD Sleep

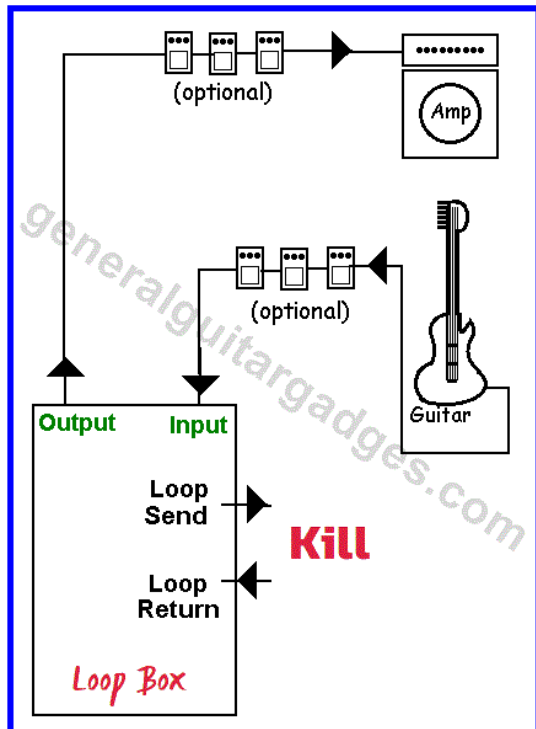
Permission refused for posting/serving this file from any site other than [www.generalguitargadgets.com](http://www.generalguitargadgets.com)

Trademarks are property of their owners



This is the typical use of the Loop Switch Box. One or more effects wired with patch cables in series in the loop. These effects can then be true-bypassed with one foot switch click.

The Bypass Loop Switch Box can easily be built with an active buffer circuit inside, that can be wired to buffer the loop by wiring it to the Loop send or can buffer the loop and the output by wiring it into the input of the box.



The Loop Switch Box can be used as a "Kill Switch" just by leaving the Loop-Send and Loop-Return jacks empty. When you switch the Loop switch it will disrupt the signal and allow you to silently switch guitars or just mute the guitar sound. If you have a delay pedal in series after the Loop Box, it can continue the echos while your guitar is mute.

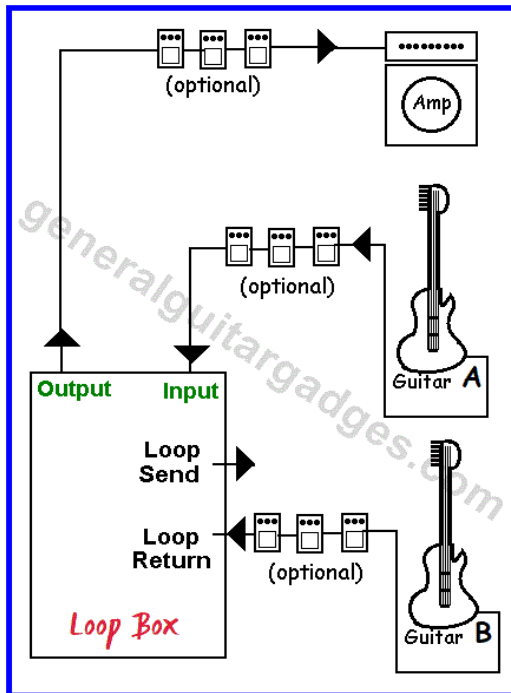
# True-Bypass Loop Switch Box User's Manual

*Version 2019August27*

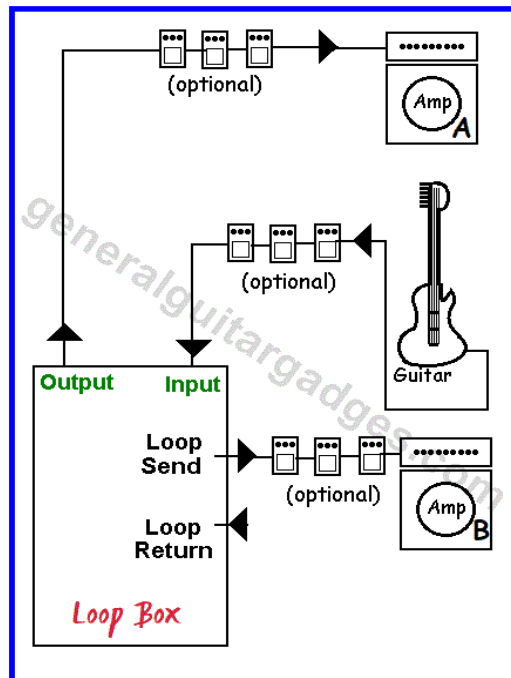
*Copyright 2019 JD Sleep*

*Permission refused for posting/serving this file from any site other than [www.generalguitargadgets.com](http://www.generalguitargadgets.com)*

*Trademarks are property of their owners*



The Loop Switch Box can be used as an A/B switch for two inputs to an output. It cannot, however, “Y” (both at the same time). With the Loop in bypass, Guitar A is active and Guitar B is mute. If you press the Loop Switch on, Guitar B is active and Guitar A is mute.



The Loop Switch Box can be used as an A/B switch for two outputs from one input. It cannot, however, “Y” (both at the same time). With the Loop in bypass, Amp A is active and amp B is mute. If you press the Loop Switch on, Amp B is active and Amp A is mute.