

# True-Bypass Dual Loop Switch Box User's Manual

Version 2019 August 27

Copyright 2019 JD Sleep

Permission refused for posting/serving this file from any site other than [www.generalguitargadgets.com](http://www.generalguitargadgets.com)

Trademarks are property of their owners

## "A/B" Dual Loop Option



This switch Activates or Bypasses Loop B

This Switch Activates or Bypasses Loop A

To use if you want to have each loop have its own bypass switch and if you want the ability to have both loops on at the same time.

There are two ways to build a Dual Loop switch Box. The "A/B" build, shown to the left, has separate true-bypass switches for each of the two effects loops.

## "Toggle" Dual Loop Option



This Switch Bypasses Both Loop A & Loop B

This Switch Toggles Between Loop A and Loop B

To use if you want one-click switching between two loops. Downside is that you cannot activate both loops at the same time.

An alternate way to build it is with a toggle effect on the foot switch. Press the switch once to active A or B loop. This build also has a Bypass switch that will bypass the loops.

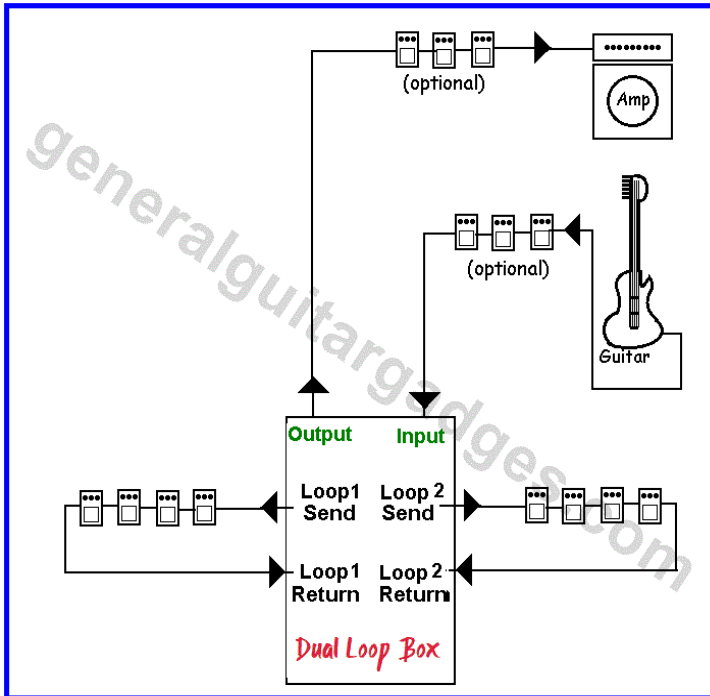
# True-Bypass Dual Loop Switch Box User's Manual

*Version 2019 August 27*

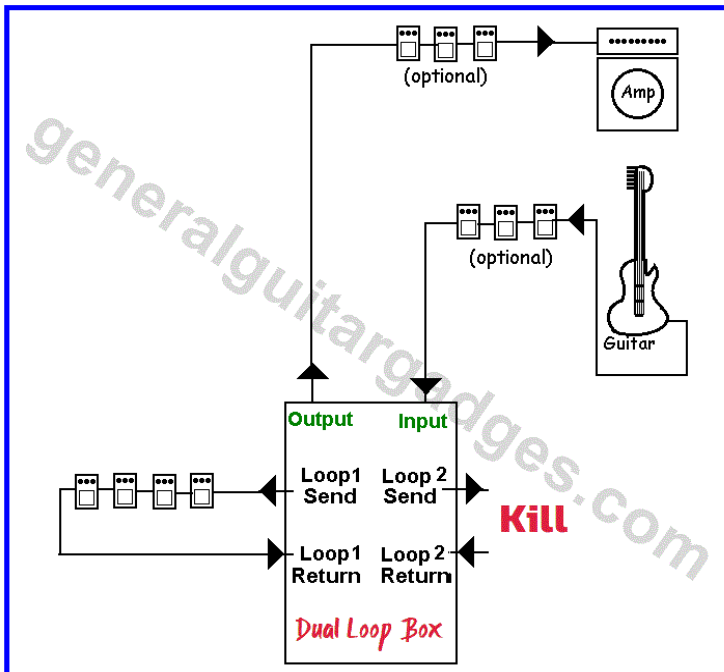
*Copyright 2019 JD Sleep*

*Permission refused for posting/serving this file from any site other than [www.generalguitargadgets.com](http://www.generalguitargadgets.com)*

*Trademarks are property of their owners*



This is the typical use of the Dual Loop switch Box. Two effects loops of your liking. A common set up would be to have your overdrive, distortion or fuzz sound in one loop and your sparkly clean sound in the other loop.



The Dual Loop Switch Box can be used as a single loop with a "Kill" switch on the other loop. Just leave the Loop send and Loop Return jacks empty. When you switch that loop on, the sound will be muted.

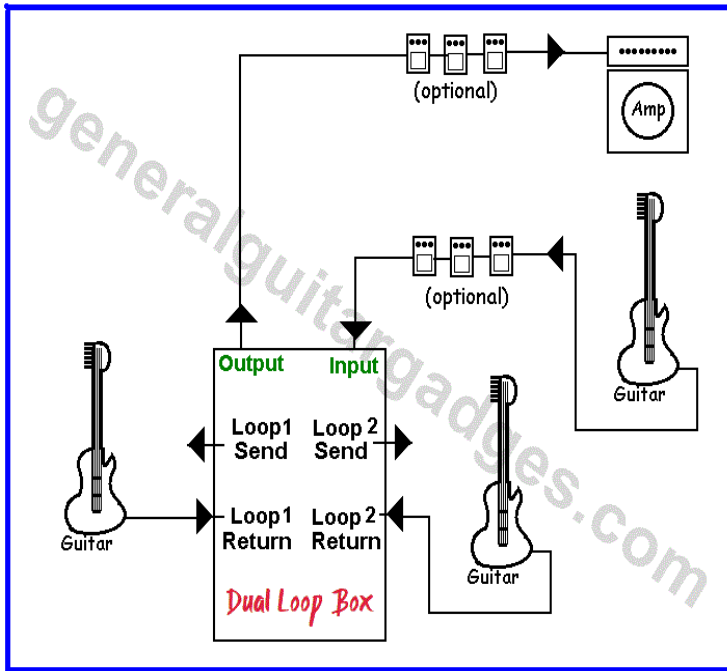
# True-Bypass Dual Loop Switch Box User's Manual

Version 2019 August 27

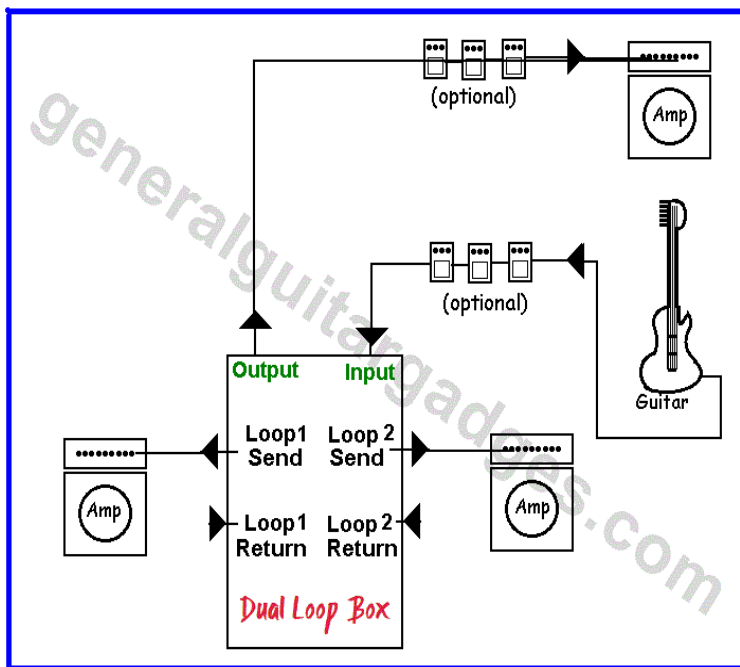
Copyright 2019 JD Sleep

Permission refused for posting/serving this file from any site other than [www.generalguitargadgets.com](http://www.generalguitargadgets.com)

Trademarks are property of their owners



The Dual Loop Switch Box can be used as an A/B/C box to choose between 3 inputs. Just use the Loop Return jacks for the 2 additional inputs. Any of the three inputs can be switched on using the Loop Box switches.



The Dual Loop Switch Box can be used as an A/B/C box to choose between 3 outputs. Just use the Loop Send jacks for the two additional outputs. Any of the three outputs can be switched on using the Loop Box switches.

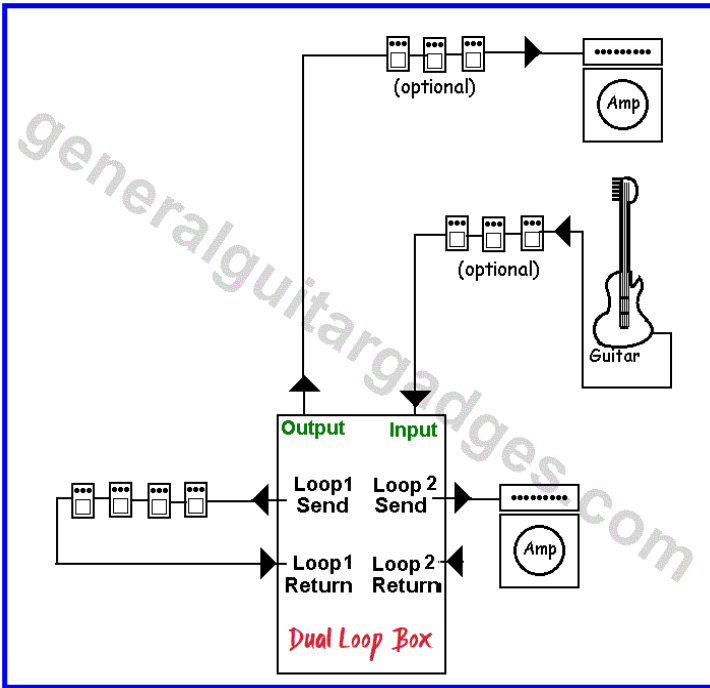
# True-Bypass Dual Loop Switch Box User's Manual

*Version 2019 August 27*

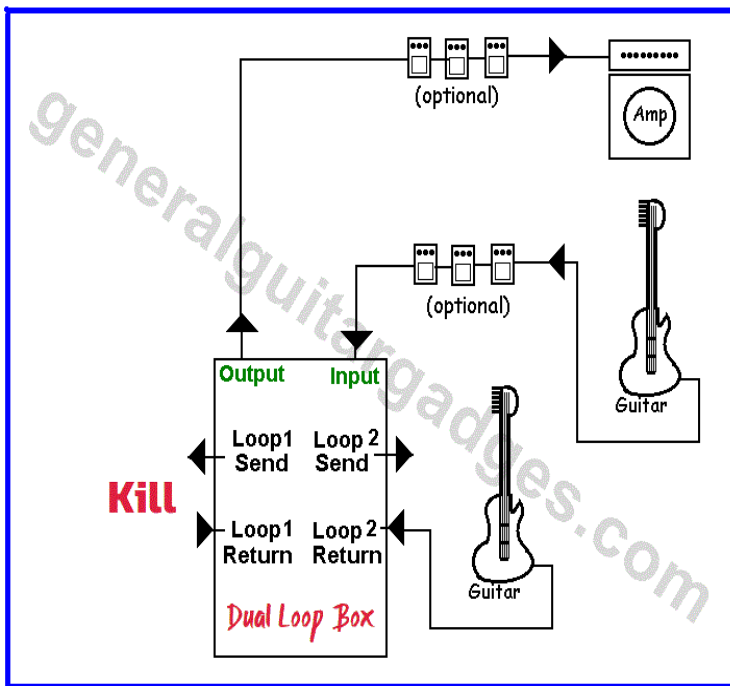
*Copyright 2019 JD Sleep*

*Permission refused for posting/serving this file from any site other than [www.generalguitargadgets.com](http://www.generalguitargadgets.com)*

*Trademarks are property of their owners*



Another variation where you can have an effects loop and A/B to two different amps.



Here is another one of many variations using the Dual Loop Box. This is wired for two guitar options into one amp and also with a Kill switch. There are lots more variations and combinations of Loops and inputs and outputs.

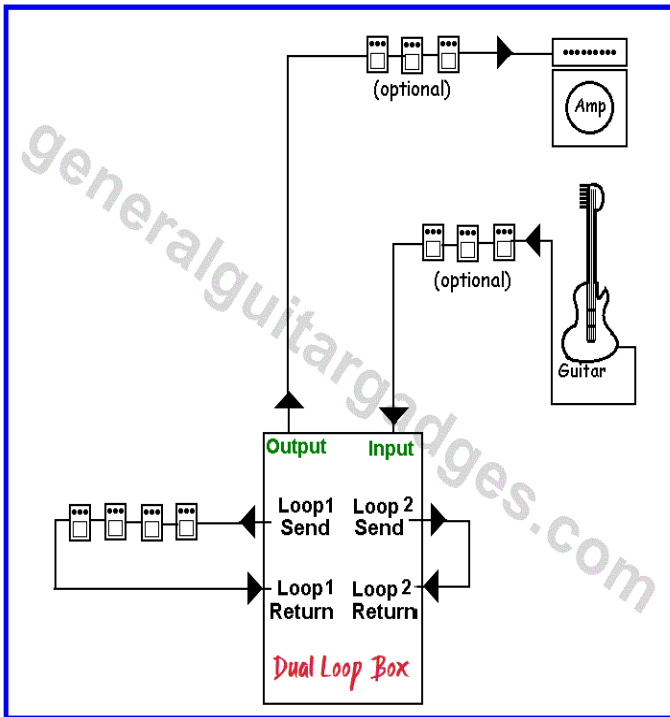
# True-Bypass Dual Loop Switch Box User's Manual

Version 2019 August 27

Copyright 2019 JD Sleep

Permission refused for posting/serving this file from any site other than [www.generalguitargadgets.com](http://www.generalguitargadgets.com)

Trademarks are property of their owners



If you use the “Toggle” wiring with no bypass switch for your Dual Loop Switch Box, you can wire it like this to have a loop bypass.