

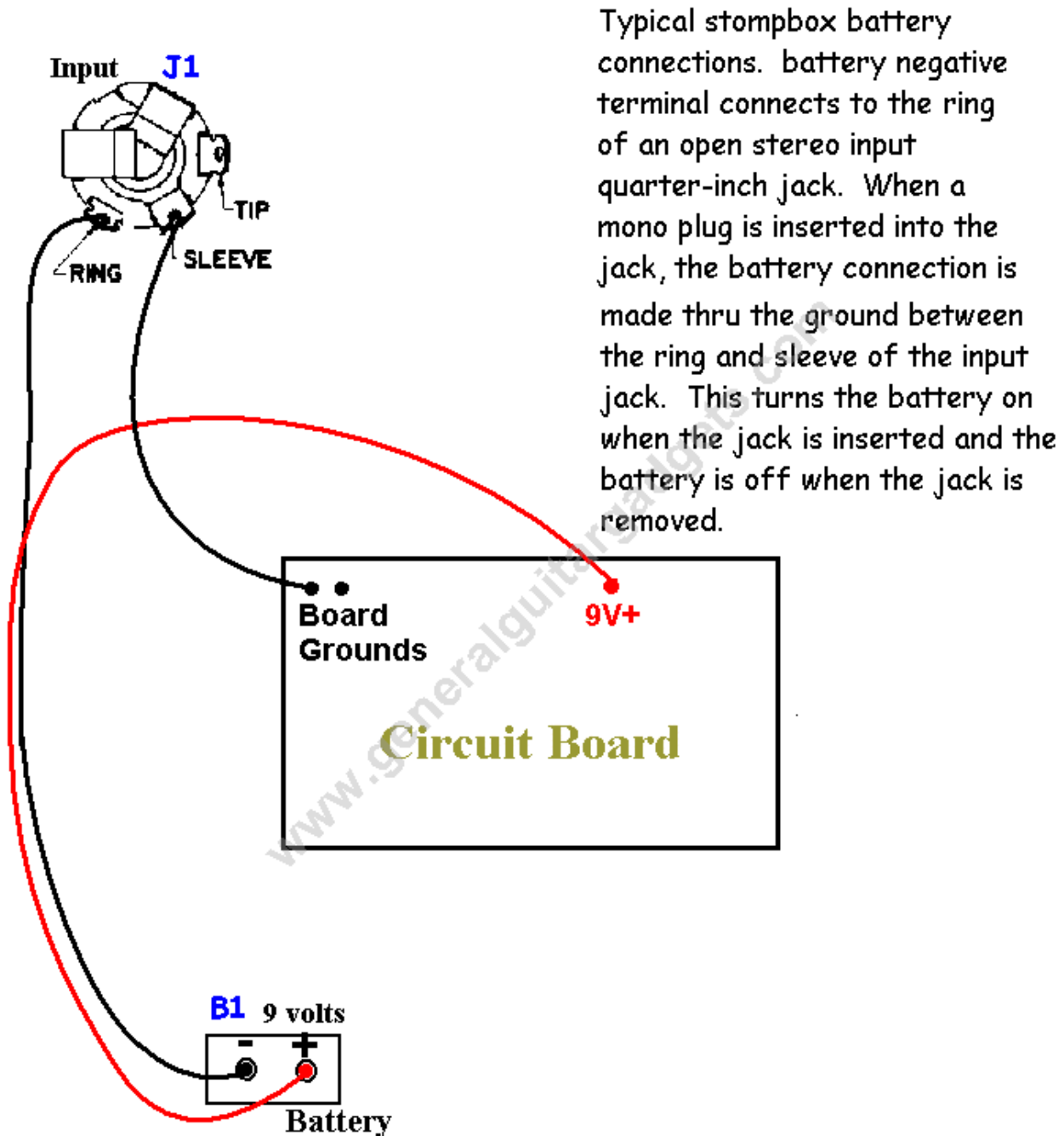
Typical Stompbox Battery Wiring Diagram

Version 2012January17

Copyright 2012 JD Sleep

Permission refused for posting/serving this file from any site other than www.generalguitargadgets.com

Trademarks are property of their owners



Typical stompbox battery connections. battery negative terminal connects to the ring of an open stereo input quarter-inch jack. When a mono plug is inserted into the jack, the battery connection is made thru the ground between the ring and sleeve of the input jack. This turns the battery on when the jack is inserted and the battery is off when the jack is removed.