

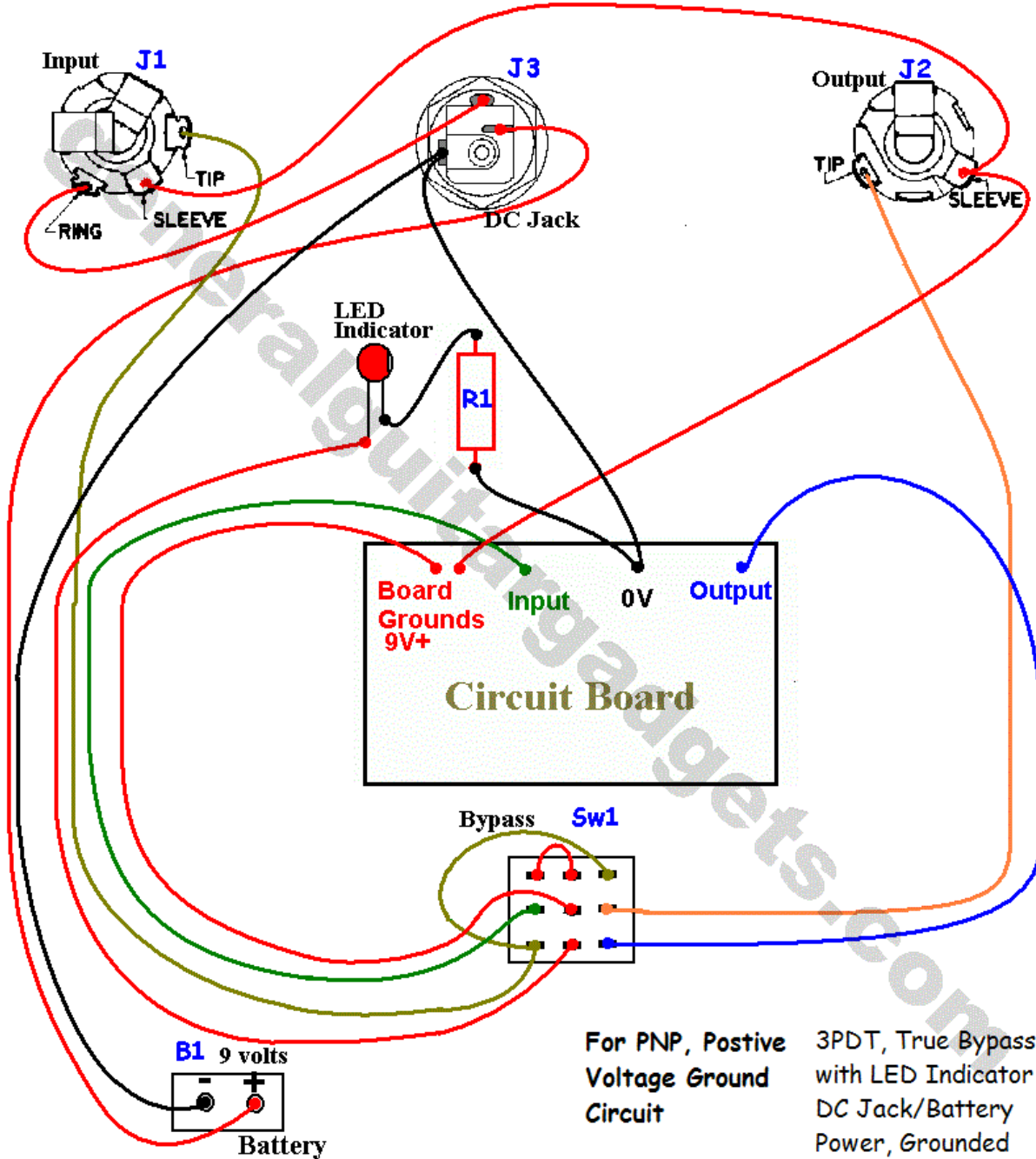
3PDT, True Bypass with LED, DC Jack/Battery power, Grounded Input, For PNP Positive Voltage Ground Wiring Diagram

Version 2014February23

Copyright 2012 JD Sleep

Permission refused for posting/serving this file from any site other than www.generalguitargadgets.com

Trademarks are property of their owners



For PNP, Postive Voltage Ground Circuit

3PDT, True Bypass with LED Indicator DC Jack/Battery Power, Grounded Input