

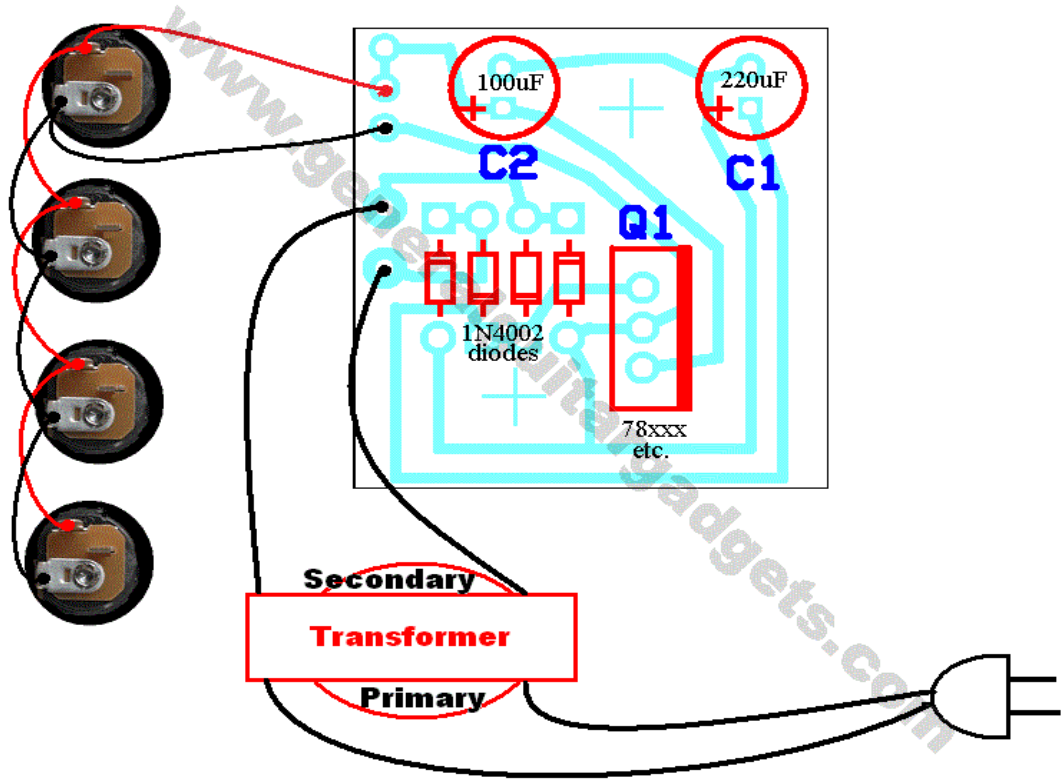
# Simple Regulated 9v Power Supply

Version 2017November19

Copyright 2017 JD Sleep

Permission refused for posting/serving this file from any site other than [www.generalguitargadgets.com](http://www.generalguitargadgets.com)

Trademarks are property of their owners



Alternate way to populate the PCB with a Bridge Rectifier package.

Alternate: populate with rectifier and filtering, but no voltage regulator.

