

# Dual IC Buffer Buffered Outputs on an ABY Switch

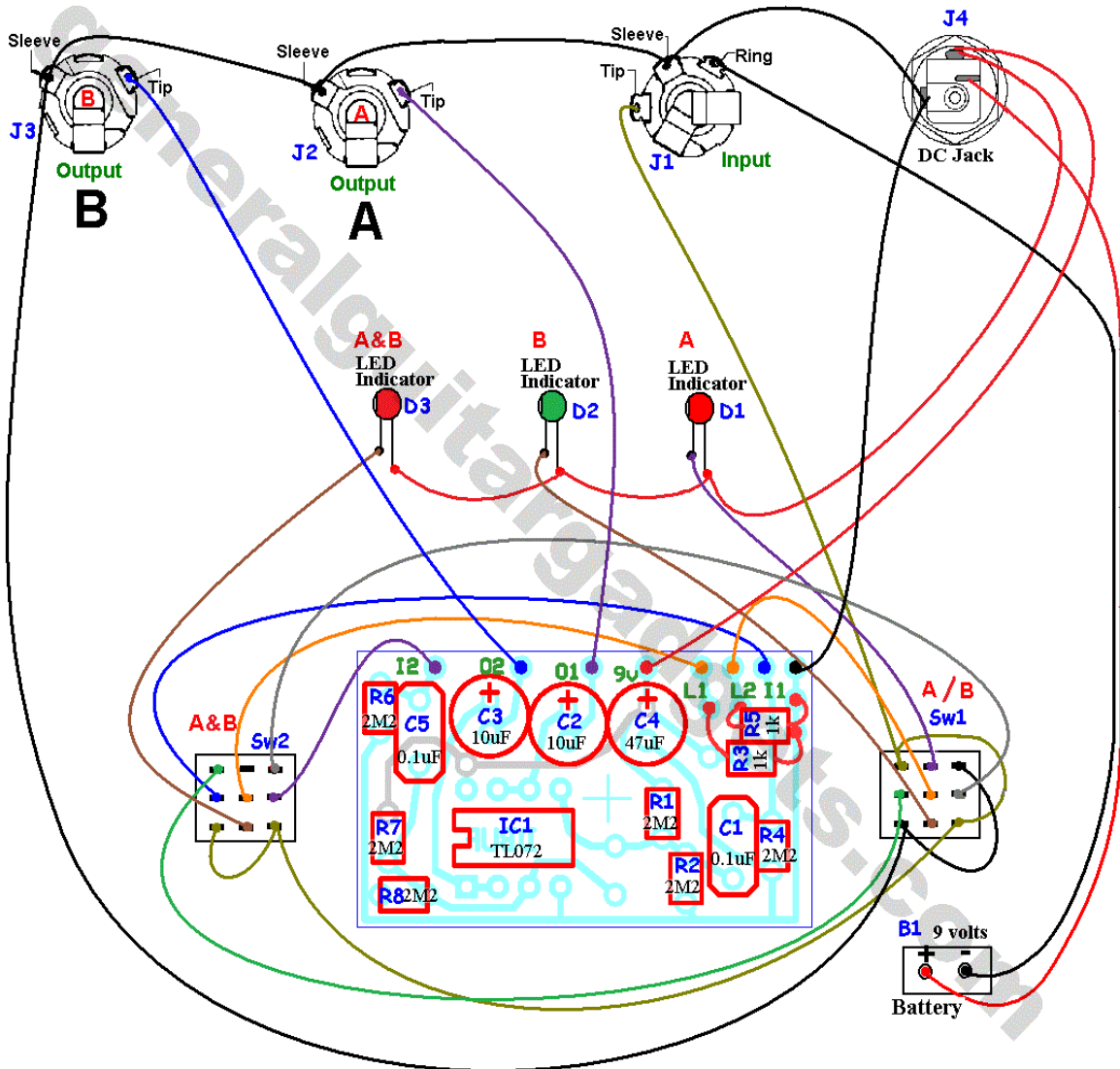
Version 2014July28

Copyright 2014 JD Sleep

Permission refused for posting/serving this file from any site other than [www.generalguitargadgets.com](http://www.generalguitargadgets.com)

Trademarks are property of their owners

We have found that in some circumstances there is some “tone sucking” when the signal is split (in “Y” mode) on the Passive ABY switch. When we add a dedicated buffer on both A and B outputs, the signal is restored crisp and clear. This is the same wiring as the Passive ABY, just adding the two active buffers, one on each output. Note that the LED current limiting resistors are placed going into the ground pads along the edge.



## Dual IC Buffer Buffered Outputs on an ABY Switch

Version 2014July28

Copyright 2014 JD Sleep

Permission refused for posting/serving this file from any site other than [www.generalguitargadgets.com](http://www.generalguitargadgets.com)

Trademarks are property of their owners

