

## Aron Nelson's Hornet Project

Version 2004AUGUST02

Copyright 2004 JD Sleep

Permission refused for posting/serving this file from any site other than [www.generalguitargadgets.com](http://www.generalguitargadgets.com)

This project is from Aron Nelson's site at:

<http://www.diystompboxes.com/pedals/schematics.html>

and the schematic is here: <http://www.diystompboxes.com/pedals/hornet.jpg>

Great distortion and easy to build. Build notes are included on the schematic.  
Thanks to Dean Hazelwanter for the PCB design.

### Bill of Materials

#### Resistors (1/4 watt rating)

1 – 1k

#### Pots (1/4 watt or higher rating)

1 – 5k linear

1 – 500k log

#### Transistors

1 – 2N388A or NPN germanium

1 – 2N5088 or other high gain NPN

#### Other

1 – 3PDT or DPDT heavy duty foot switch  
(bypass)

1 – mono quarter inch jack

1 – stereo quarter inch jack

9v battery snaps & holder and/or DC jack,  
knobs, Copper-clad board, etchant, or  
perfboard

24 gauge stranded wire

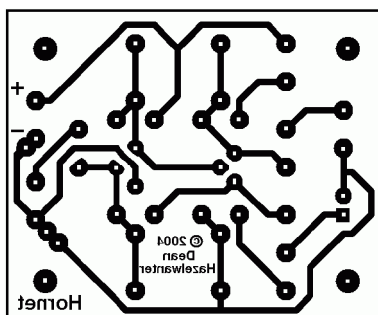
Enclosure

#### Capacitors (minimum 16 volt rating)

1 – 0.047uf film

1 – 0.1uF film

1 – 47uF aluminum electrolytic



Size 5.1cm x 4.1cm

## Aron Nelson's Hornet Project

Version 2004AUGUST02

Copyright 2004 JD Sleep

Permission refused for posting/serving this file from any site other than [www.generalguitargadgets.com](http://www.generalguitargadgets.com)

