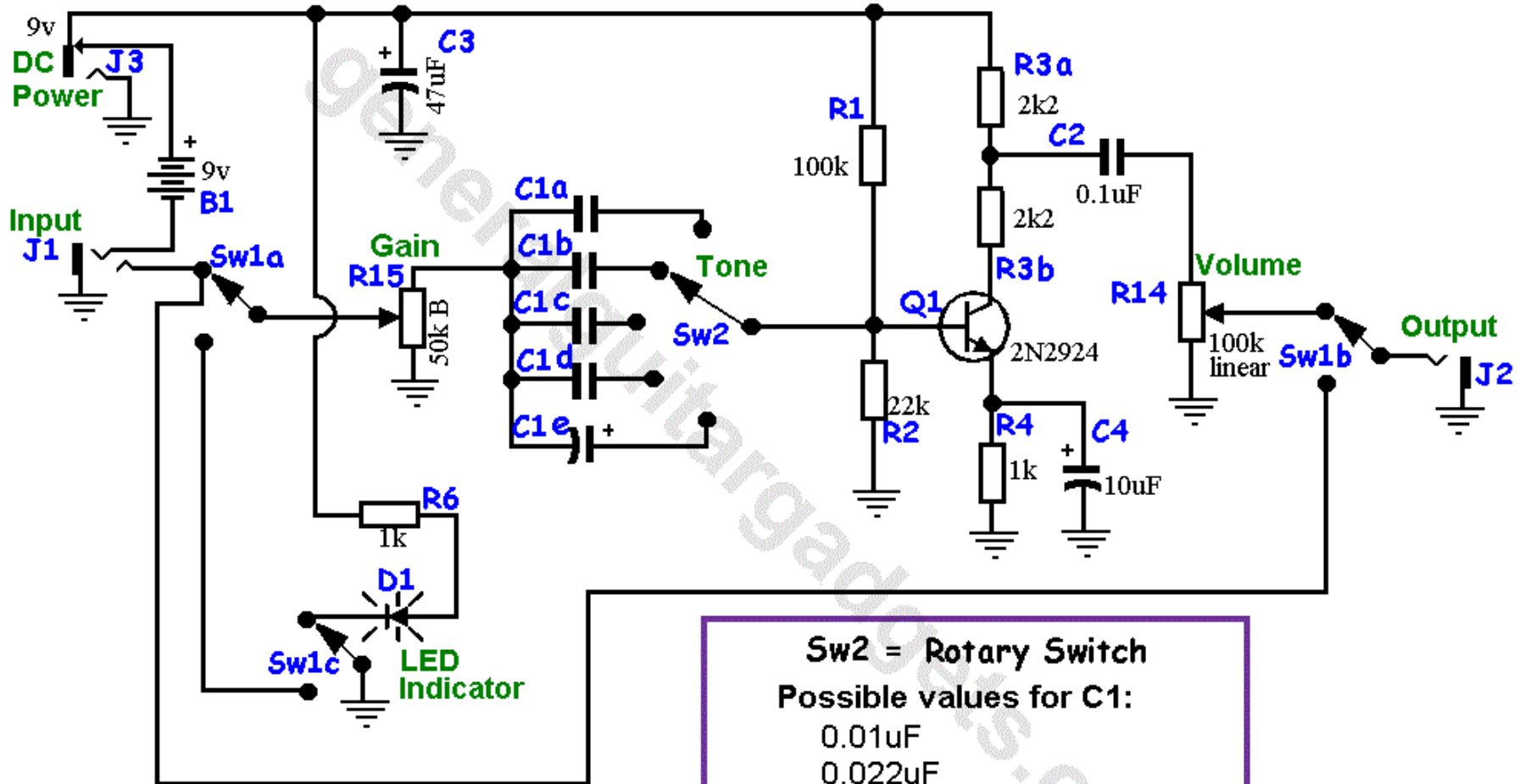


Vox™ Treble Booster with Gain, Tone & Volume Control

Version 2016July08

Copyright 2016 JD Sleep

Permission refused for posting/serving this file from any site other than www.generalguitargadgets.com Trademarks are property of their owners



Sw2 = Rotary Switch
Possible values for C1:
0.01uF
0.022uF
0.1uF
1uF
10uF
C1e shows polarity if using polarized caps.