



BSIAB2 (Brown Sound In A Box version 2) Instructions

Version 2010February17

Copyright 2006 JD Sleep

Permission refused for posting/serving this file from any site other than www.generalguitargadgets.com



This distortion is meant to make a clean set amp sound like a cranked Marshall amp. Of course there are some limitations, but it does a very good job in our opinion.

Use the project documents provided, starting with the General Build Instructions. JFET transistors can be inconsistent in sound and operation. If you have problems getting a full sound or if the voltages don't seem quite right, try a new JFET transistor of the same type and see if there is any improvement.

The trimmer adjustment is used to set the Drain voltage of Q5 at about half the power voltage. Note that the protection diode cuts the voltage of the power rail down by about a volt, so the Drain voltage should be about 4 volts with a nine volt battery. It's best to fine tune this by ear. The higher the Drain voltage, the higher the noise level, if it gets too low, it starts to sputter and doesn't perform well.



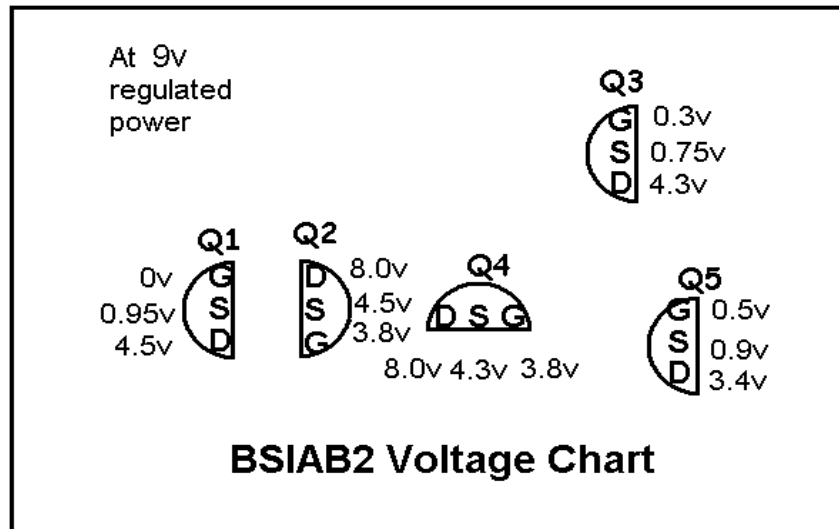
BSIAB2 (Brown Sound In A Box version 2) Instructions

Version 2010February17

Copyright 2006 JD Sleep

Permission refused for posting/serving this file from any site other than www.generalguitargadgets.com

Here is a chart of voltages taken at the transistor pins. This information can be used to help you find and fix problems if your BSIAB2 doesn't work when you test it. Note that Q5 has a Drain voltage set at 3.4 volts by the trimmer setting. This particular unit sounded good at that setting, if you tune yours to closer to 4 volts, the Gate and Source voltages may vary some. Your unit may have some variation in voltage readings compared with the diagram. They don't have to be exactly as the chart, but you should be somewhere in the general range.



Here's a photo of the inside of a BSIAB2:

BSIAB2 (Brown Sound In A Box version 2) Instructions

Version 2010February17

Copyright 2006 JD Sleep

Permission refused for posting/serving this file from any site other than www.generalguitargadgets.com

