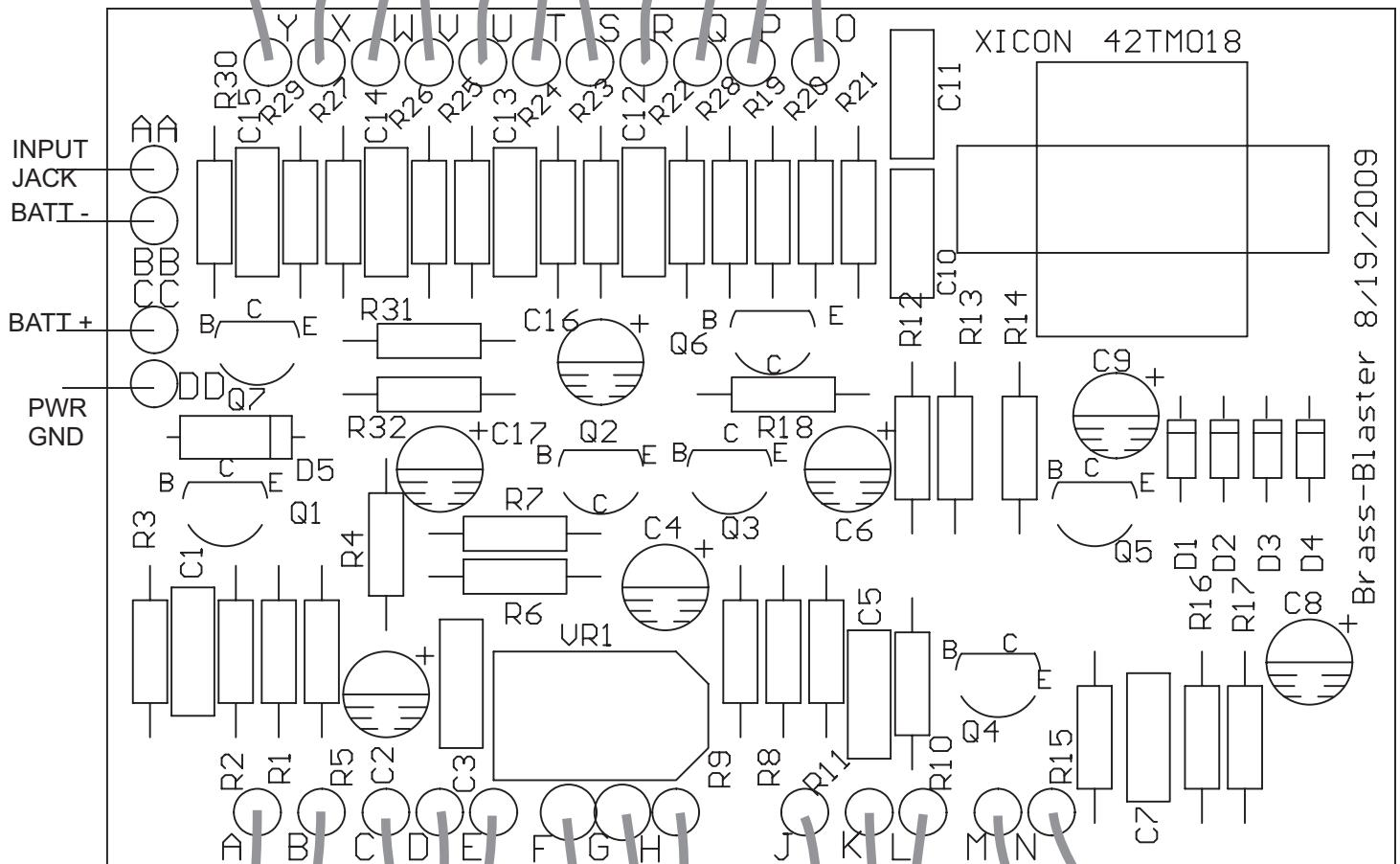
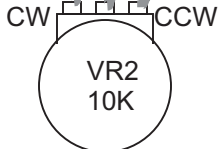
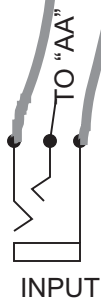


SW3 - BRASS1 / BRASS 2

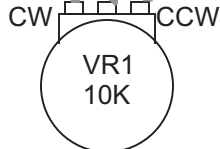
SW2
HARMONICS
HIGH/LOW



Brass-Blaster 8/19/2009



NOTE:
VR2/VR3
WERE A
DUAL 10K
IN ORIGINAL



NOTE:
VR1 MAY BE
A TRIMMER
ON THE PCB
OR A KNOB

