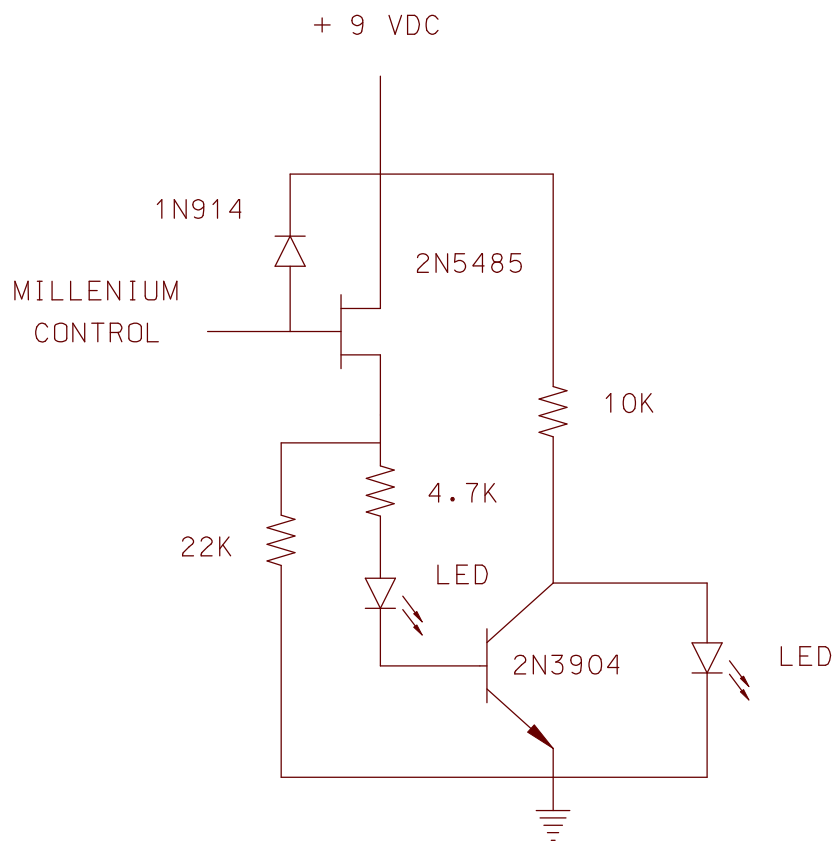


RG'S ALTERNATING LED INDICATOR CIRCUIT

COPYRIGHT 2002 BY SCOTT SWARTZ, ALL RIGHTS RESERVED



NOTE: ABOVE RESISTOR VALUES PROVIDE APPROX. 1 MA CURRENT THORUGH EACH LED, WHICH WILL GIVE CORRECT BRIGHTNESS ONLY IF SUPER BRIGHT LEDS ARE USED.