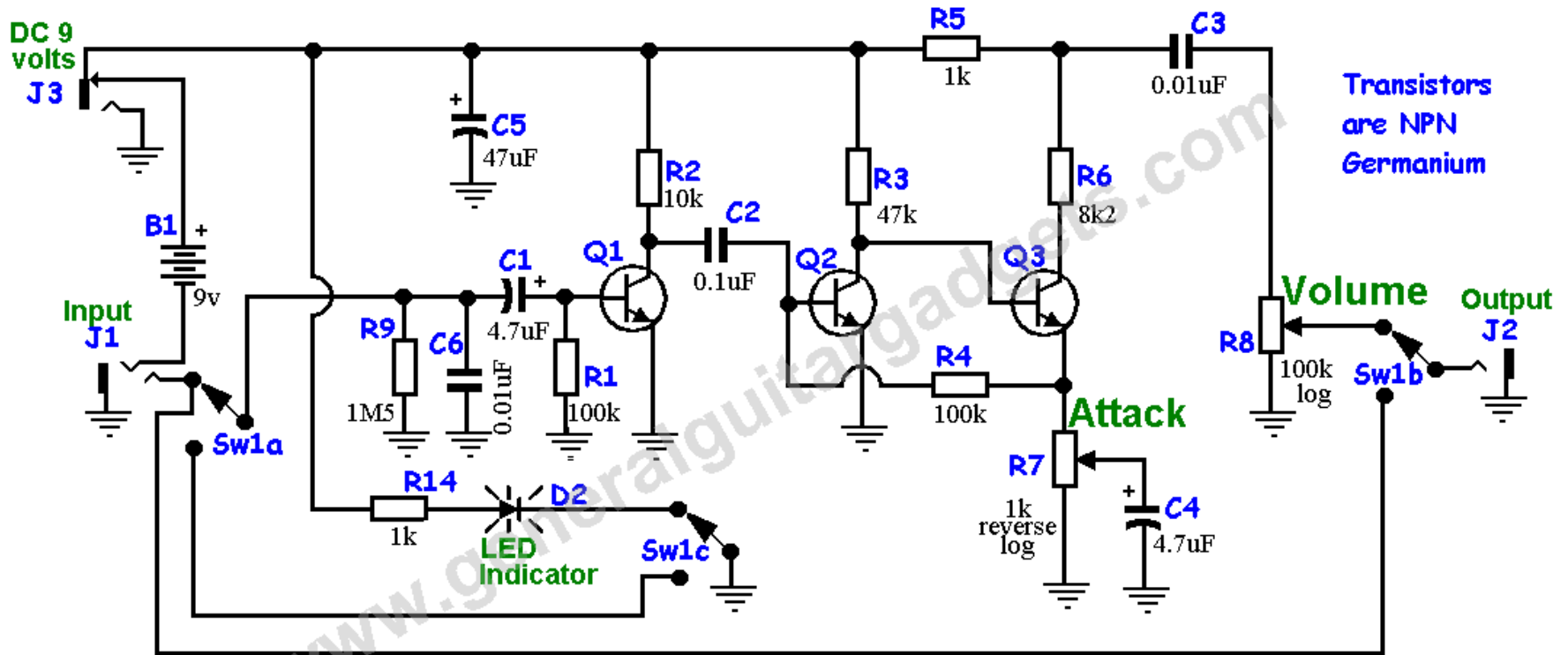


ColorSound™ ToneBender Mark II Professional™ Replica (NPN Germanium Version)

Version 2012February09

Copyright 2012 JD Sleep

Permission refused for posting/serving this file from any site other than www.guitar-gadgets.com Trademarks are property of their owners



Improvements:

R9 added to prevent possible switch click

True Bypass 3PDT switch with LED Indicator