

Ruby Amp Project

Version 2006May26

Copyright 2005 JD Sleep

Permission refused for posting/serving this file from any site other than www.guitar-gadgets.com

The Ruby Amp is a great little practice amp. The diagrams include wiring for a “power on” indicator LED and also a diagram for an optional headphone jack. Schematic and information are at <http://www.runoffgroove.com>. This is the layout information for PCB building.

Bill of Materials

Resistors (1/4 watt rating)

- 1 – 10 ohm
- 1 – 3k9 (3.9k)
- 1 – 1M5 (1.5M)

Pots (1/4 watt or higher rating)

- 1 – 1k Linear (or 1k Trimmer)
- 1 – 10k Linear

Transistors

- 1 – MPF102 (or 2N5457)

ICs

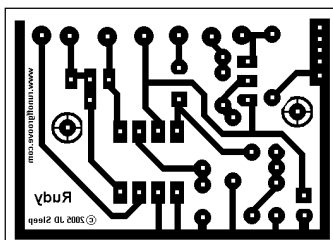
- 1 – LM386 or JRC386

Capacitors (minimum 16 volt rating)

- 2 – 0.047uF film or ceramic
- 1 – 0.1uF film or ceramic
- 1 – 100uF aluminum electrolytic
- 1 – 220uF aluminum electrolytic

Other

- 1 – mono quarter inch jack (speaker out)
- 1 – stereo quarter inch jack (input)
- Optional LED and 1k resistor
- 9v battery snaps & holder and/or DC jack,
- Copper-clad board, etchant, or perfboard
- 24 gauge stranded wire
- Enclosure



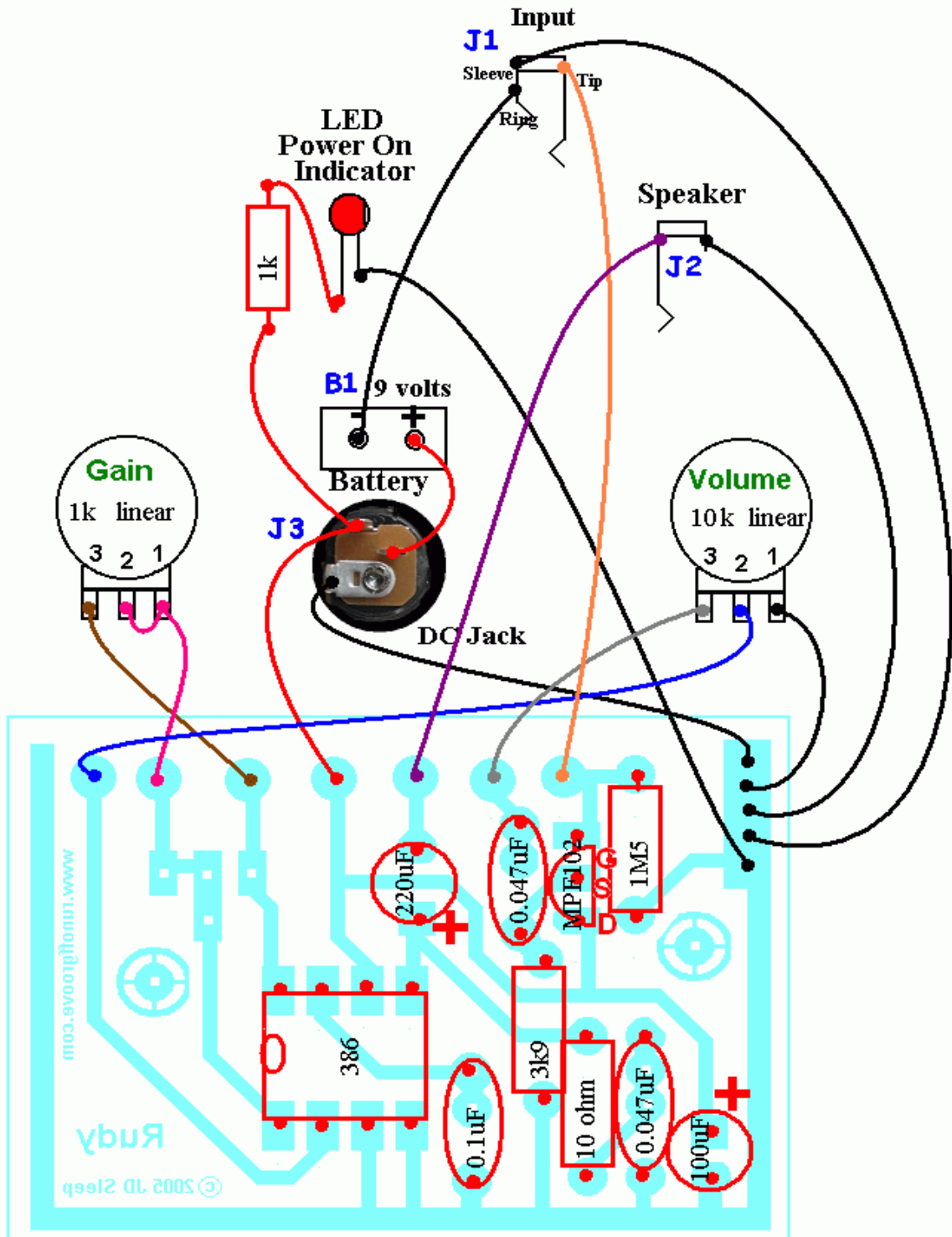
Size 4.5cm x 3.1cm

Ruby Amp Project

Version 2006May26

Copyright 2005 JD Sleep

Permission refused for posting/serving this file from any site other than www.generalguitargadgets.com

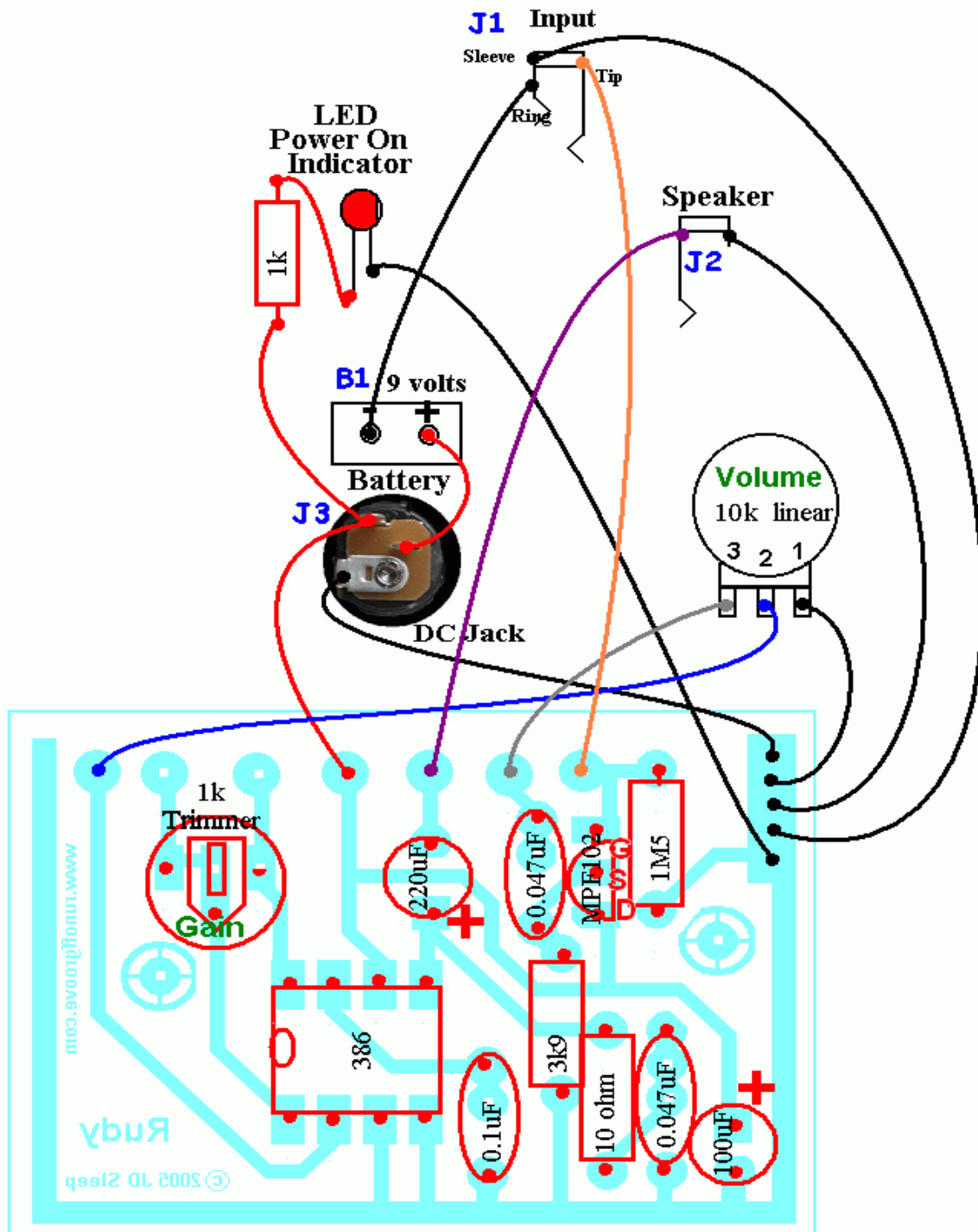


Ruby Amp Project

Version 2006May26

Copyright 2005 JD Sleep

Permission refused for posting/serving this file from any site other than www.generalguitargadgets.com



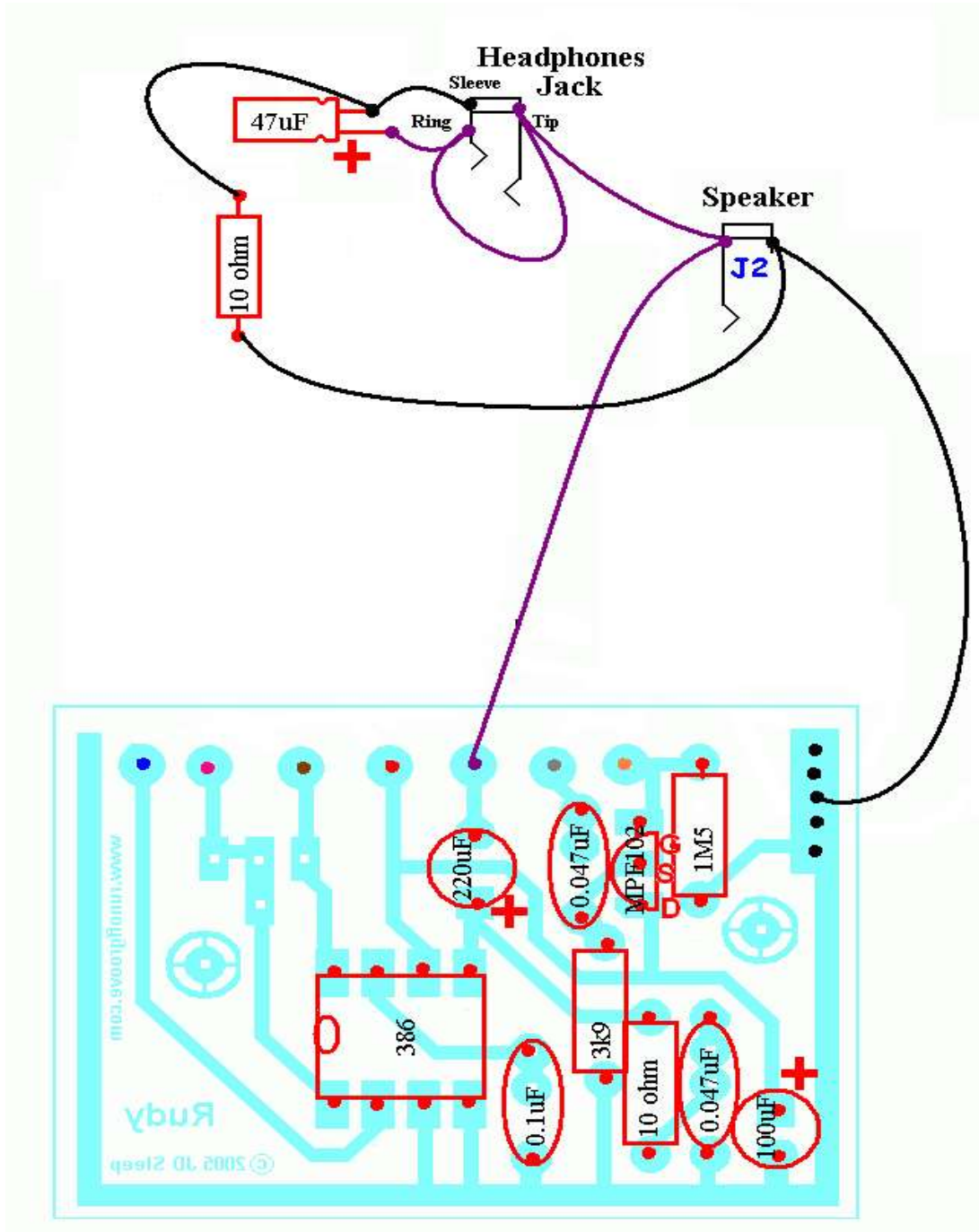
Ruby with Trimmer Gain Control

Ruby Amp Project

Version 2006May26

Copyright 2005 JD Sleep

Permission refused for posting/serving this file from any site other than www.generalguitargadgets.com



Optional wiring for a headphones jack, thanks to Michael Froehlich. A Zobel Network is used for the headphones output. For clarity, only the output wiring is shown in this diagram.