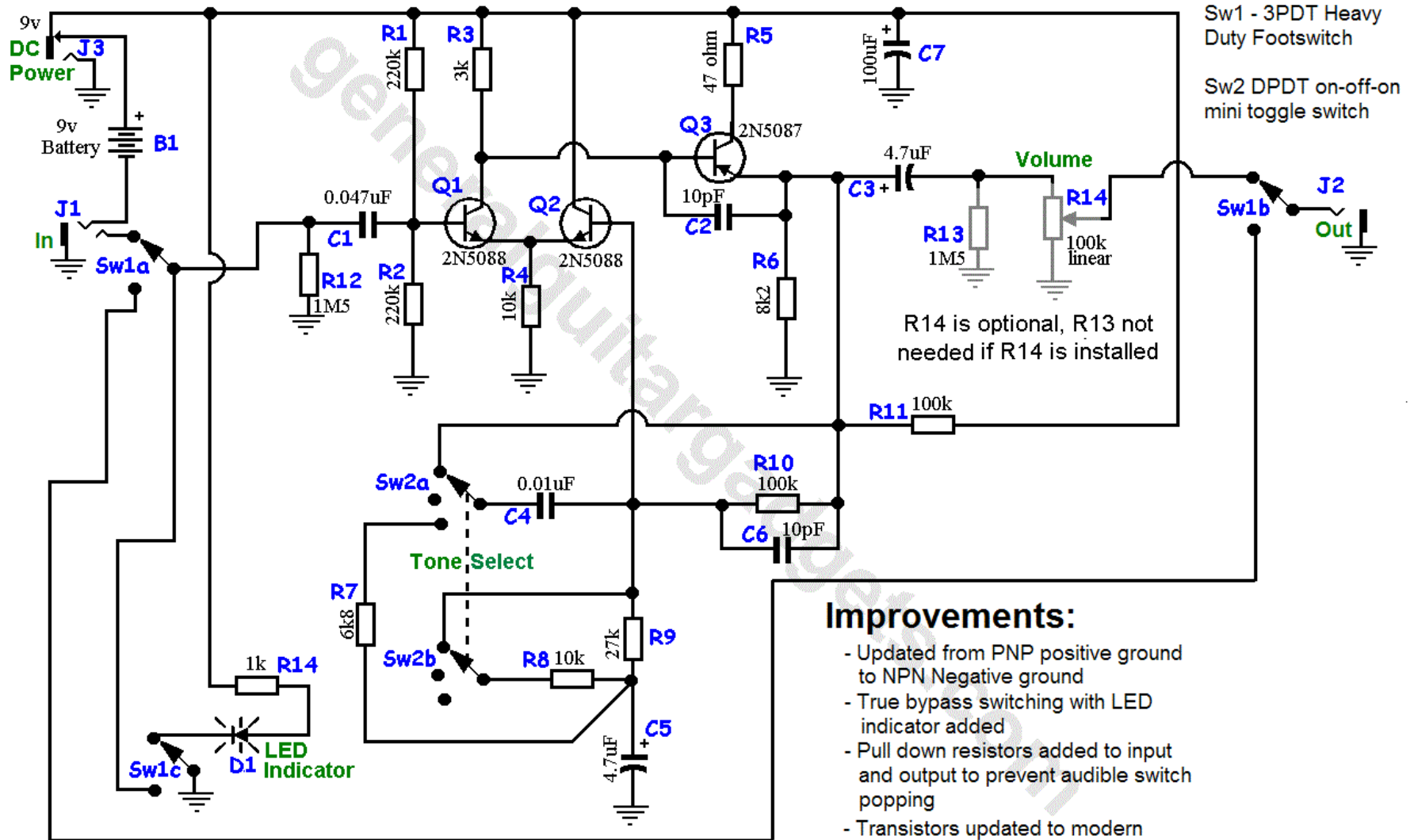


# Dan Armstrong™ Red Ranger™ Replica

Version 2016September06

Copyright 2016 JD Sleep

Permission refused for posting/serving this file from any site other than [www.genealguitaradgets.com](http://www.genealguitaradgets.com) Trademarks are property of their owners



## Improvements:

- Updated from PNP positive ground to NPN Negative ground
- True bypass switching with LED indicator added
- Pull down resistors added to input and output to prevent audible switch popping
- Transistors updated to modern equivalent