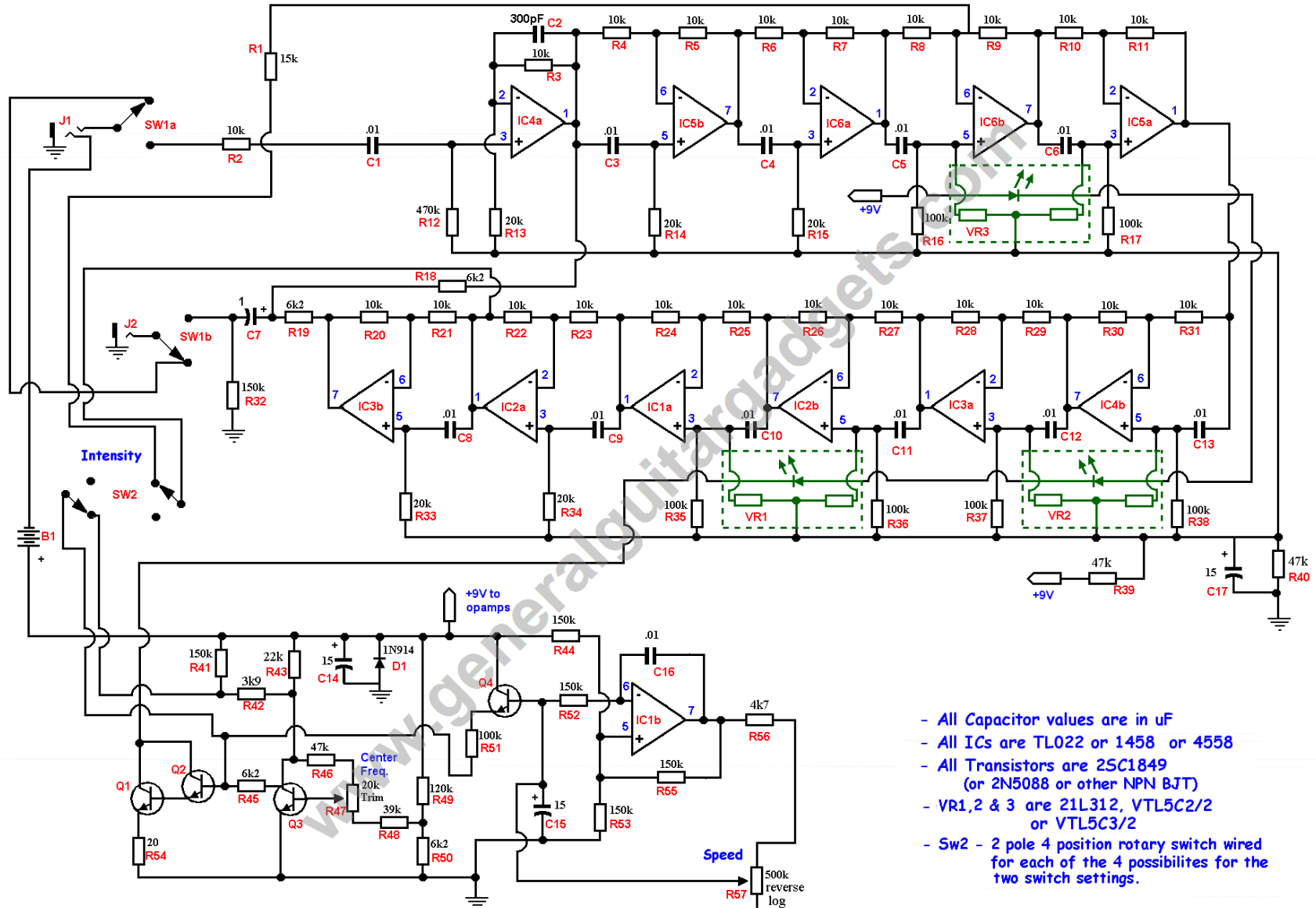


# MXR™ Phase 100™ Phase Shifter

Version 2009 February 3

Copyright 2006 JD Sleep

Permission refused for posting/serving this file from any site other than [www.generalguitargadgets.com](http://www.generalguitargadgets.com) Trademarks are property of their owners



- All Capacitor values are in  $\mu$ F
- All ICs are TL022 or 1458 or 4558
- All Transistors are 2SC1849 (or 2N5088 or other NPN BJT)
- VR1,2 & 3 are 21L312, VTL5C2/2 or VTL5C3/2
- Sw2 - 2 pole 4 position rotary switch wired for each of the 4 possibilities for the two switch settings.