

Dan Armstrong™ Green Ringer™ with Filter Modification

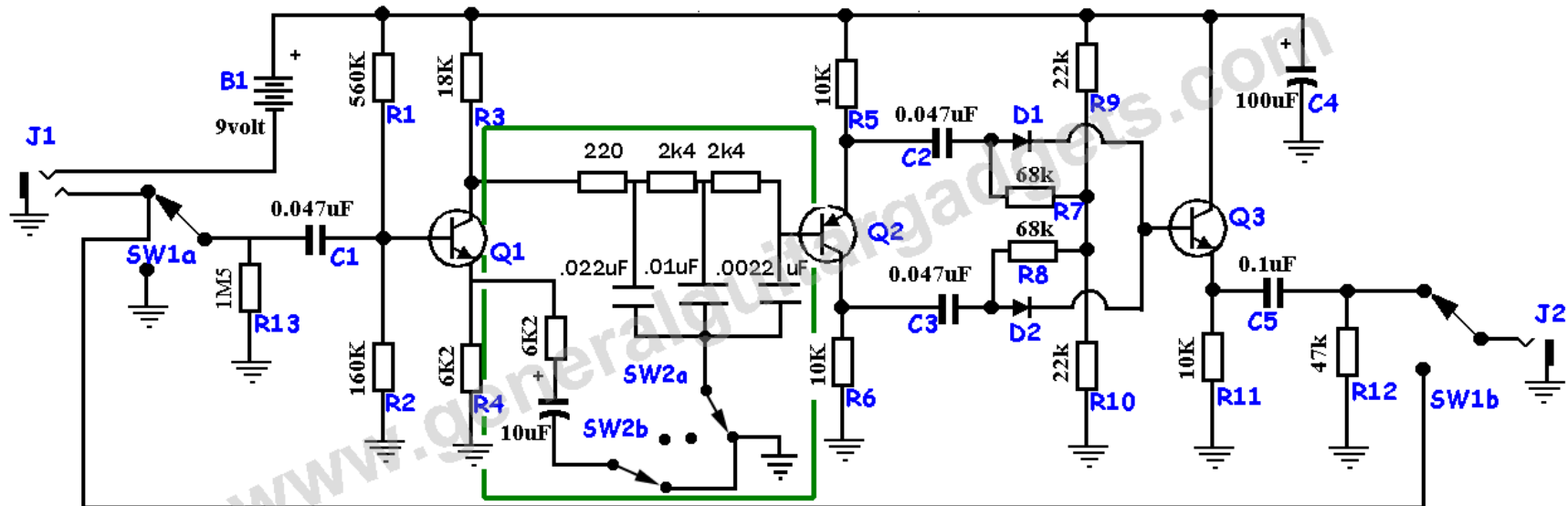
Version 2012 January 10

Copyright 2007 JD Sleep

Permission refused for posting/serving this file from any site other than www.generalguitargadgets.com Trademarks are property of their owners

Green Ringer™

Switchable Filter Mod



Drawn by: JD Sleep
Filter Mod: Ben Milner

Q1, Q3 = 2N5088 or 2N5089

Q2 = 2N3906 (low gain)

D1, D2 = Diodes, matched set, SI, Ge or Schottky

SW1a, SW1b - DPDT heavy duty footswitch