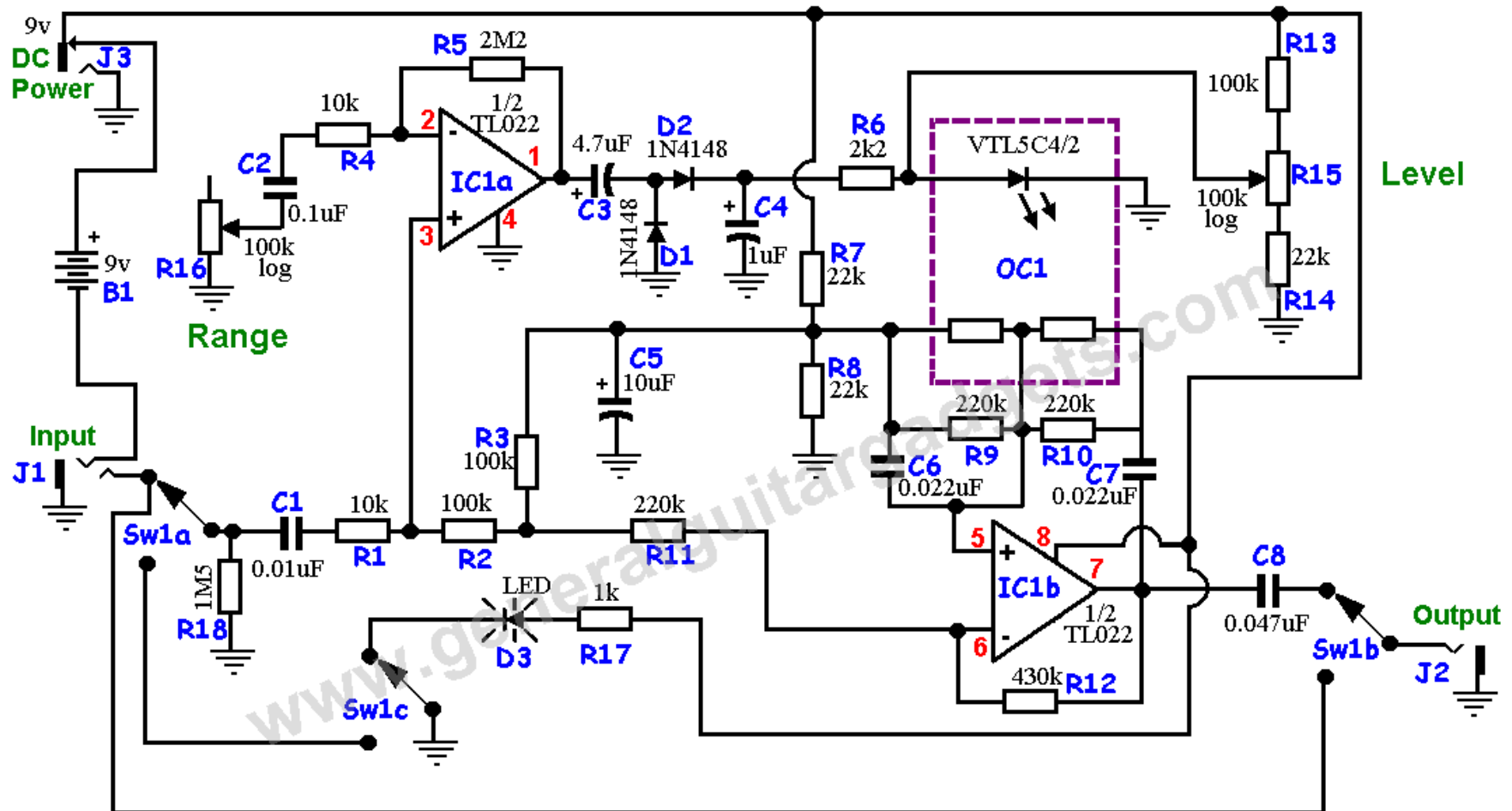


DOD Envelope Filter 440™

Version 2012 January 20

Copyright 2007 JD Sleep

Permission refused for posting/serving this file from any site other than www.generalguitargadgets.com Trademarks are property of their owners



Minor improvements:
 Pulldown resistor R18.
 True bypass with LED
 indicator.

We set R5 to 2M2 value for
 great response on Range
 control. Some schematics
 have R5 as 470k