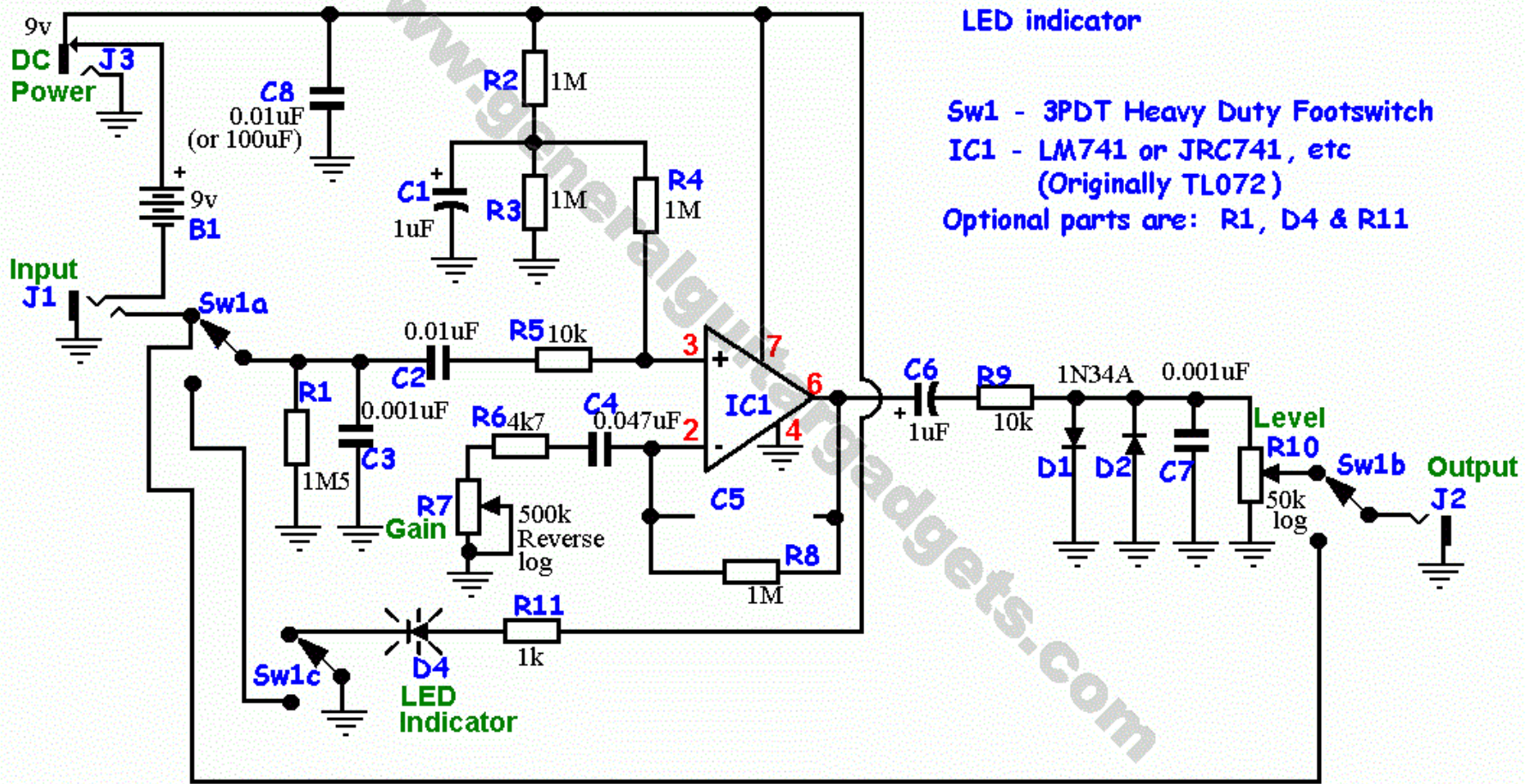


Ross™ Distortion

Version 2013June12

Copyright 2008 JD Sleep

Permission refused for posting/serving this file from any site other than www.generalguitargadgets.com Trademarks are property of their owners



Improved with true bypass and LED indicator

- Sw1 - 3PDT Heavy Duty Footswitch
- IC1 - LM741 or JRC741, etc (Originally TL072)
- Optional parts are: R1, D4 & R11